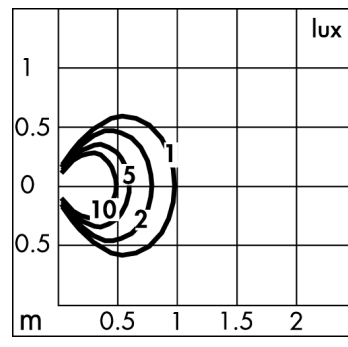
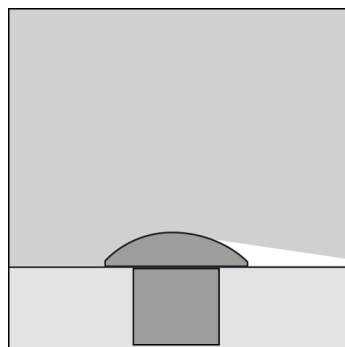
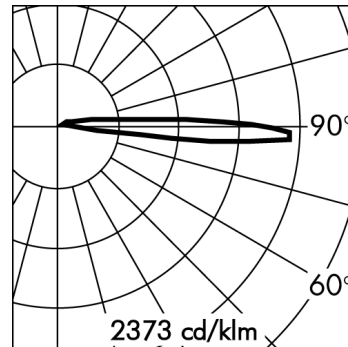
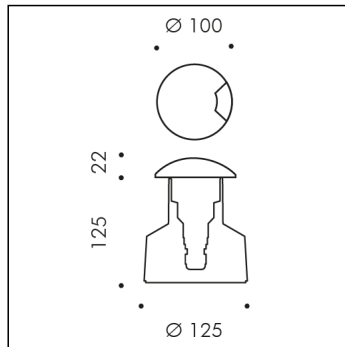


SHELL GROUND REC.



S.4200W.09 (Black)

1 module LED 3000K 24Vdc DIMMABLE PWM

Radial inground not walkover



Light Source Technical Data

Light source type:	LED
Colour temperature:	3000K
Rated module luminous flux:	492lm
Rated luminaire luminous flux:	38lm
Rated module power:	5.4W
Rated luminaire power:	6.5W
Luminaire efficacy:	6lm/W
Color Rendering Index:	CRI 90
Standard Deviation Color Matching:	MacAdam step 3

Power Supply Technical Data

Voltage (DC):	24Vdc
See the SIMES power supply accessories list on the following pages	
Dimmable:	PWM

Temperature and life time Technical Data

LED Lifetime:	L80 B10 70.000h Ta 25°C L80 B10 50.000h Ta 40°C
Lifespan of the LUMINAIRE:	min. 70.000h Ta 25°C min. 50.000h Ta 40°C
Performance ambient temperature:	Tq 25°C
Operating ambient temperature range:	da -20°C a +50°C
Storage temperature range:	da -20°C a +60°C

Technical Installation Data

Electrical insulation class:	III
Protection class IP:	IP65 IP67
Mechanical resistance:	IK10
Weight:	1.2311Kg
Power cable:	5m - H05RN-F

SHELL GROUND REC.**S.4200W.09 (Black)****SPECS SHEET****LUMINAIRE TYPE**

Radial inground not walkover luminaire. IP rating IP 65 IP67

MATERIAL CHARACTERISTICS

Die cast EN AB-44300 aluminium (low copper content) housing with high corrosion resistance. Stone wash surface treatment prior to painting process. A4 grade Stainless Steel screws with 2,5-3% molybdenum content which increases the resistance against corrosion. Mechanical resistance IK 10
Maximum load capacity --

LIGHTING PERFORMANCE

Clear polycarbonate lenses. Polycarbonate diffuser. Lamp fixed position. LOR --

LOW SURFACE TEMPERATURE

Surface temperature of glass -- (Ta 25°C)

INSTALLATION AND MAINTENANCE

A4 stainless steel fixing clips. Supplied with Polypropylene formwork included.

WIRING

Supply 5m cable section type H05RN-F sealed with B component epoxy resin, wired internally protected by silicon sheaths. Isolation: CLASS III .
Available colours: Black (cod.09). Weight: 1.2311 Kg Glow Wire test: --

LED module included**SHELL REGISTERED DESIGN**

This luminaire contains built-in LED modules. In case of damage or malfunction please contact the manufacturer to receive additional instructions on how to replace and relative spare parts to order. The LED modules cannot be handled in the luminaire by the end user.

This product contains a light source of energy efficiency class (EPREL - European Product Registry for Energy Labelling): F.

LED modules are engineered accordingly to the existing regulations of Lumen Maintenance (LM80) and Technical Memorandum (TM21), where uniformity and quality of the light is 70,000 hours referred to L80 B10 Ta 25 ° C (50,000 hours referable to L80 B10 Ta 40°C). Lifespan of the luminaire min. 70.000 hours Ta 25°C, min. 50,000 hours at 40°C. Performance Ambient temperature Tq 25°C. Operating ambient temperature range is from -20°C to +50°C. Storage temperature range from -20°C to +60°C.

SHELL GROUND REC.

S.4200W.09 (Black)



ACCESSORIES



S.3660
JUNCTION BOX IP65*
Junction box with cable glands for 3 cables IN (possibility of 3 more cables IN with S.3670 accessories) Maximum load capacity 500Kg
Dimensions 300mmx300mmx230mm



S.3670
1 ADDITIONAL CABLE GLAND
Required for the connection of over 2 luminaires to the junction box
S.3660 / power supply S.3664, S.3665, S.3667, S.3668.



S.2400
POWER SUPPLY NOT DIMMABLE 35W 230Vac/24Vdc IP20
In: 240V Alternate Current
Out: 24V Direct Current.
The Total power of all connected luminaires may not be higher than the power of the driver. CLASS II SELV Dimensions: 195 x 43 x 30,2 mm
WE SUGGEST TO USE ONE SURGE PROTECTION DEVICE (S.2499) FOR EACH REMOTE DRIVER AT A DISTANCE OF NO MORE THAN 10m AWAY.



S.2401
POWER SUPPLY NOT DIMMABLE 60W 230Vac/24Vdc IP20
In: 240V Alternate Current
Out: 24V Direct Current.
The Total power of all connected luminaires may not be higher than the power of the driver. CLASS II SELV Dimensions: 225 x 43 x 29,8 mm
WE SUGGEST TO USE ONE SURGE PROTECTION DEVICE (S.2499) FOR EACH REMOTE DRIVER AT A DISTANCE OF NO MORE THAN 10m AWAY.



S.2402
POWER SUPPLY NOT DIMMABLE IN BOX 60W 230Vac/24Vdc IP55
Dimensions: 260 x 240 x 100 mm.
Cable IN: 2 with cable glands PG11
Cable OUT: 5 with cable glands PG11
IP55 CLASS II SELV The Total power of all connected luminaires may not be higher than the power of the driver.
WE SUGGEST TO USE ONE SURGE PROTECTION DEVICE (S.2499) FOR EACH REMOTE DRIVER AT A DISTANCE OF NO MORE THAN 10m AWAY.



S.2403
POWER SUPPLY NOT DIMMABLE 100W 230Vac/24Vdc IP20
In: 240V Alternate Current
Out: 24V Direct Current.
The Total power of all connected luminaires may not be higher than the power of the driver. CLASS II SELV Dimensions: 295 x 43 x 29,8 mm
WE SUGGEST TO USE ONE SURGE PROTECTION DEVICE (S.2499) FOR EACH REMOTE DRIVER AT A DISTANCE OF NO MORE THAN 10m AWAY.



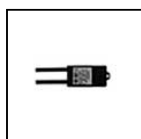
S.2404
POWER SUPPLY NOT DIMMABLE IN BOX 90W 230Vac/24Vdc IP55
Dimensions: 260 x 240 x 100 mm.
Cable IN: 2 with cable glands PG11
Cable OUT: 5 with cable glands PG11
IP55 CLASS II SELV The Total power of all connected luminaires may not be higher than the power of the driver.
WE SUGGEST TO USE ONE SURGE PROTECTION DEVICE (S.2499) FOR EACH REMOTE DRIVER AT A DISTANCE OF NO MORE THAN 10m AWAY.



S.2405
POWER SUPPLY NOT DIMMABLE 60W 230Vac/24Vdc IP67
In: 240V Alternate Current
Out: 24V Direct Current.
The Total power of all connected luminaires may not be higher than the power of the driver. CLASS II SELV Dimensions: 150 x 53 x 21 mm
WE SUGGEST TO USE ONE SURGE PROTECTION DEVICE (S.2499) FOR EACH REMOTE DRIVER AT A DISTANCE OF NO MORE THAN 10m AWAY.



S.2406
POWER SUPPLY NOT DIMMABLE 90W 230Vac/24Vdc IP67
In: 240V Alternate Current
Out: 24V Direct Current.
The Total power of all connected luminaires may not be higher than the power of the driver. CLASS II SELV Dimensions: 171 x 63 x 37,5 mm
WE SUGGEST TO USE ONE SURGE PROTECTION DEVICE (S.2499) FOR EACH REMOTE DRIVER AT A DISTANCE OF NO MORE THAN 10m AWAY.



S.2407
POWER SUPPLY NOT DIMMABLE 14,4W 230Vac/24Vdc IP67
In: 240V Alternate Current
Out: 24V Direct Current.
The Total power of all connected luminaires may not be higher than the power of the driver. IP67 CLASS II SELV Dimensions: 79 x 38 x 25 mm.
WE SUGGEST TO USE ONE SURGE PROTECTION DEVICE (S.2499) FOR EACH REMOTE DRIVER AT A DISTANCE OF NO MORE THAN 10m AWAY.



S.2415
POWER SUPPLY DIMMABLE 230Vac/24Vdc 24W 244Hz IP67
Dimmable DALI for monochromatic LED 24W 240V/24Vdc The Total power of all connected luminaires may not be higher than the power of the driver. IP67 CLASS II SELV PWM Frequency : 244Hz Dimensions 185 x 35x 33mm
WE SUGGEST TO USE ONE SURGE PROTECTION DEVICE (S.2499) FOR EACH REMOTE DRIVER AT A DISTANCE OF NO MORE THAN 10m AWAY.



S.2416
POWER SUPPLY DIMMABLE 230Vac/24Vdc 75W 244Hz IP67
Dimmable DALI for monochromatic LED 75W 240V/24Vdc The Total power of all connected luminaires may not be higher than the power of the driver. IP67 CLASS II SELV PWM Frequency : 244Hz Dimensions 280 x 40x 28mm
WE SUGGEST TO USE ONE SURGE PROTECTION DEVICE (S.2499) FOR EACH REMOTE DRIVER AT A DISTANCE OF NO MORE THAN 10m AWAY.



S.2424
POWER SUPPLY DIMMABLE 1-10V, PUSH DIM 60W 230Vac/24Vdc 244Hz IP20
Dimmable 1-10V, PUSH DIM for monochromatic LED 60W 240V/24Vdc The Total power of all connected luminaires may not be higher than the power of the driver. IP20 CLASS II SELV PWM Frequency : 244Hz Dimensions 125 x 82x 29mm
WE SUGGEST TO USE ONE SURGE PROTECTION DEVICE (S.2499) FOR EACH REMOTE DRIVER AT A DISTANCE OF NO MORE THAN 10m AWAY.



S.2430
POWER SUPPLY NOT DIMMABLE MULTI-POWER 230V/250mA-700mA 20W oppure 24Vdc 16W IP20
MULTI-POWER SUPPLY 230V/250mA-700mA Maximum power consumption 20W or 16W 230Vac/24Vdc Dimensions 110mmx50mmx20mm IP20 CLASS II SELV Warning!!! Always check the minimum Forward voltage (Vf min) of the fixtures that will be connected to this driver. Next ...
WE SUGGEST TO USE ONE SURGE PROTECTION DEVICE (S.2499) FOR EACH REMOTE DRIVER AT A DISTANCE OF NO MORE THAN 10m AWAY.

Exclusive distributor for Ireland

Bushell Interiors Ltd - 12 Heaney Ave, Park West - Dublin 12 IRELAND - Tel.: +353 1 6710044 - e-mail: info@bushellinteriors.com

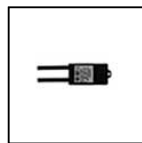
The present technical data sheet and all the information contained is property of SIMES S.p.A. All rights reserved.
We reserve the right to change specifications without prior written notice.

SHELL GROUND REC.

S.4200W.09 (Black)



ACCESSORIES



S.2433
POWER SUPPLY NOT DIMMABLE 36W 230Vac/24Vdc IP67
 In: 240V Alternate Current
 Out: 24V Direct Current.
 The Total power of all connected luminaires may not be higher than the power of the driver. IP67 CLASS II SELV Dimensions: 120 x 38 x 25 mm.
 WE SUGGEST TO USE ONE SURGE PROTECTION DEVICE (S.2499) FOR EACH REMOTE DRIVER AT A DISTANCE OF NO MORE THAN 10m AWAY.



S.2435
POWER SUPPLY NOT DIMMABLE IN BOX IP67 230V/250mA-700mA 20W o 230Vac/24Vdc 16W IP67
 MULTI-POWER SUPPLY 230V/250mA-700mA Maximum power consumption 20W or 16W 230Vac/24Vdc Dimensions 175,5mmx86,5mmx43mm IP67 CLASS II SELV Warning!!! Always check the minimum Forward voltage (Vf min) of the fixtures that will be connected to this driver.
 WE SUGGEST TO USE ONE SURGE PROTECTION DEVICE (S.2499) FOR EACH REMOTE DRIVER AT A DISTANCE OF NO MORE THAN 10m AWAY.



S.2441
POWER SUPPLY DIMMABLE DALI, PUSH DIM, 0-10V, 1-10V 230Vac/24Vdc 24W 244Hz IP20
 Dimmable DALI, PUSH DIM, 0-10V, 1-10V for monochromatic LED 24W 240V/24Vdc The Total power of all connected luminaires may not be higher than the power of the driver. PWM Frequency : 244Hz Dimensions 164mm x38mm x24,5mm IP20 CLASS II SELV
 WE SUGGEST TO USE ONE SURGE PROTECTION DEVICE (S.2499) FOR EACH REMOTE DRIVER AT A DISTANCE OF NO MORE THAN 10m AWAY.



S.2442
POWER SUPPLY DIMMABLE DALI, PUSH DIM, 0-10V, 1-10V 230Vac/24Vdc 75W 244Hz IP20
 Dimmable DALI, PUSH DIM, 0-10V, 1-10V for monochromatic LED 75W 240V/24Vdc The Total power of all connected luminaires may not be higher than the power of the driver. IP20 CLASS II SELV PWM Frequency : 244Hz Dimensions 280mmx40mmx29mm
 WE SUGGEST TO USE ONE SURGE PROTECTION DEVICE (S.2499) FOR EACH REMOTE DRIVER AT A DISTANCE OF NO MORE THAN 10m AWAY.



S.2445
POWER SUPPLY NOT DIMMABLE 120W 230Vac/24Vdc IP67
 In: 240V Alternate Current
 Out: 24V Direct Current.
 The Total power of all connected luminaires may not be higher than the power of the driver. CLASS II SELV Dimensions: 191 x 63 x 37,5 mm
 WE SUGGEST TO USE ONE SURGE PROTECTION DEVICE (S.2499) FOR EACH REMOTE DRIVER AT A DISTANCE OF NO MORE THAN 10m AWAY.



S.2446
POWER SUPPLY NOT DIMMABLE 320W 230Vac/24Vdc IP67
 In: 240V Alternate Current
 Out: 24V Direct Current.
 The Total power of all connected luminaires may not be higher than the power of the driver. CLASS I SELV Dimensions: 252 x 90 x 43 mm
 WE SUGGEST TO USE ONE SURGE PROTECTION DEVICE (S.2499) FOR EACH REMOTE DRIVER AT A DISTANCE OF NO MORE THAN 10m AWAY.



S.3400
POWER SUPPLY NOT DIMMABLE 10W 230Vac/24Vdc IP20
 In: 240V Alternate Current
 Out: 24V Direct Current.
 The Total power of all connected luminaires may not be higher than the power of the driver. Dimensions: 120 x 35 x 20 mm.
 WE SUGGEST TO USE ONE SURGE PROTECTION DEVICE (S.2499) FOR EACH REMOTE DRIVER AT A DISTANCE OF NO MORE THAN 10m AWAY.



S.3401
POWER SUPPLY NOT DIMMABLE IN BOX 10W 230Vac/24Vdc IP55
 (Electronic power supply included)
 Dimensions: 230 x 210 x 80 mm.
 Cable IN: 2 with cable glands PG11
 Cable OUT: 6 with cable glands PG11
 IP55 CLASS II The Total power of all connected luminaires may not be higher than the power of the driver.
 WE SUGGEST TO USE ONE SURGE PROTECTION DEVICE (S.2499) FOR EACH REMOTE DRIVER AT A DISTANCE OF NO MORE THAN 10m AWAY.



S.3425
POWER SUPPLY NOT DIMMABLE 230Vac/24Vdc 8W IP54
 It can be housed directly in the recessed box of MINISKILL round, square and vertical flush versions. (To be wired into the recessed box ensuring adequate IP protection). Dimensions : 51mm x 31mm x h 21mm
 WE SUGGEST TO USE ONE SURGE PROTECTION DEVICE (S.2499) FOR EACH REMOTE DRIVER AT A DISTANCE OF NO MORE THAN 10m AWAY.



S.3664
JUNCTION BOX WITH NOT DIMMABLE POWER SUPPLY 35W 240V/24Vdc
 IP65 power supply for: N°4 Micropool LED* o N°1 Minipool LED o N°1 Pool LED maximum load capacity 500Kg Dimensions 200mmx200mmx220mm * = require 2 x S.3670 additional cable gland
 WE SUGGEST TO USE ONE SURGE PROTECTION DEVICE (S.2499) FOR EACH REMOTE DRIVER AT A DISTANCE OF NO MORE THAN 10m AWAY.



S.3665
JUNCTION BOX WITH NOT DIMMABLE POWER SUPPLY 90W 240V/24Vdc
 IP65 power supply for: N°5 Micropool LED** o N°4 Minipool LED* o N°2 Pool LED maximum load capacity 500Kg Dimensions 300mmx300mmx230mm ** = require 3 x S.3670 additional cable gland * = require 2 x S.3670 additional cable gland
 WE SUGGEST TO USE ONE SURGE PROTECTION DEVICE (S.2499) FOR EACH REMOTE DRIVER AT A DISTANCE OF NO MORE THAN 10m AWAY.

Exclusive distributor for Ireland

Bushell Interiors Ltd - 12 Heaney Ave, Park West - Dublin 12 IRELAND - Tel.: +353 1 6710044 - e-mail: info@bushellinteriors.com

The present technical data sheet and all the information contained is property of SIMES S.p.A. All rights reserved.

We reserve the right to change specifications without prior written notice.

Last update 27/08/2024 - Pag. 4/4