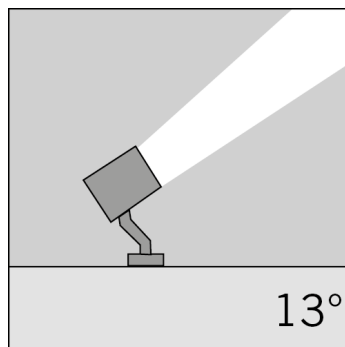
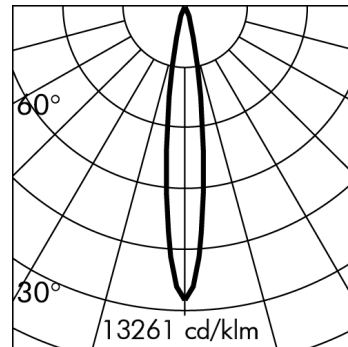
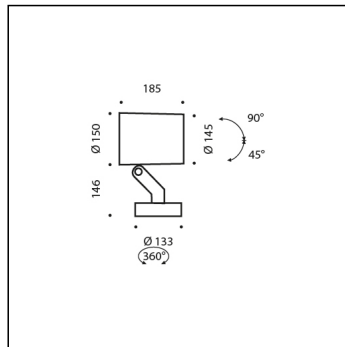


STAGE ROUND SPOT



h(m)	13° Ø(m)	3000K E(lx)
2	0.47	6429
4	0.94	1607
6	1.41	714
8	1.88	402
10	2.35	257

\*Photometric measured using WHITE LED 3000K

Version is available on request.

S.1320N.24 (Anthracite grey)

9 module LED 4000K 220-240Vac DIMMABLE DALI; DALI2; PUSH Spotlights



Light Source Technical Data

Light source type:	LED
Colour temperature:	4000K
Rated module luminous flux:	3561lm
Rated luminaire luminous flux:	2109lm
Rated module power:	23.5W
Rated luminaire power:	26.6W
Luminaire efficacy:	79lm/W
ULR:	0%
BUG:	B3 - U0 - G0
CIE Flux Code:	100 100 100 100 100
Color Rendering Index:	CRI 80
Standard Deviation Color Matching:	MacAdam step 3
Beams available on request:	65°, 10°x44°

Temperature and life time Technical Data

LED Lifetime:	L80 B10 70.000h Ta 25°C L80 B10 50.000h Ta 40°C
Lifespan of the LUMINAIRE:	min. 70.000h Ta 25°C min. 50.000h Ta 40°C
Performance ambient temperature:	Tq 25°C
Operating ambient temperature range:	da -20°C a +50°C
Storage temperature range:	da -20°C a +60°C

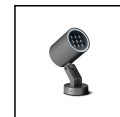
Power Supply Technical Data

Voltage (AC):	220-240Vac
Frequency (AC):	50/60Hz
Voltage (DC):	176-275Vdc (No PUSH DIM)
Dimmable:	DALI; DALI2; PUSH PUSH Synchronization: - Max 4 Luminaires, distance <15m; - Max 35 Luminaires, distance <300m with S.2490 accessory.
Inrush Current:	5A 50µsec
Max. quantity of fixtures for Miniature Circuit Breaker type B16A:	50
Max. quantity of fixtures for Miniature Circuit Breaker type C16A:	85
Surge protection (between L-N):	2kV
Surge protection (between L/N-PE):	4kV

Technical Installation Data

Electrical insulation class:	II
Protection class IP:	IP66
Mechanical resistance:	IK08
Weight:	4.5467Kg
Exposed windage area:	0.03m²
Power cable:	0.4m - H05RN-F

**SPECIAL VERSION ON REQUEST:** this Luminaires can be supplied with a surcharge in class III (without power supply). Requires working remote power supply in constant current at 900mA V<sub>fmin</sub>=23.4Vdc V<sub>fmax</sub>=27.9Vdc. Example SIMES compatible power supplies (check the complete list of the drivers on the catalogue): Art. S.2444 POWER SUPPLY MULTI-POWER 230V/700mA-1050mA DALI2, PUSH DIM IN BOX IP67 35W  
NB: Use 1 Power Supply for each Luminaires

**STAGE ROUND SPOT****S.1320N.24 (Anthracite grey)****SPECS SHEET****LUMINAIRE TYPE**

Projector. IP rating IP 66

**MATERIAL CHARACTERISTICS**

Die-cast EN AB-47100 aluminium housing with high corrosion resistance. Stone wash surface treatment prior to painting process. A4 grade Stainless Steel screws with 2,5-3% molybdenum content which increases the resistance against corrosion. Silicone gaskets. Painting Process : 3 Step Process  
1) Surface treatment with BONDERITE. A heavy metal free chemical surface treatment containing ceramic nano particles giving a cohesive, inorganic and highly dense protective coating. 2) PRE POLYMERIZATION a process of introducing an epoxy primer with excellent characteristics to the paint which also offers very high resistance to oxidation due to its Zinc content. 3) POLYMERIZATION a process with the application of polyester powder with high resistance against UV rays and harsh weather conditions. Resistance test protection for Marine applications for 1200h. Mechanical resistance IK 08

**LIGHTING PERFORMANCE**

99.98% pure aluminium reflectors, or with concentrating lenses: The sophisticated optics focuses the beam and makes the light comfortable by reducing the direct glare of the light source. Clear toughened glass. LOR --

**INSTALLATION AND MAINTENANCE**

The tempered front glass diffuser is fixed externally to the fitting through silicon resin, perfectly flush with the front ring. Water and dirt deposits that can disturb the lighting performance of the projector can easily flow away.

**WIRING**

Supply 0.4m cable section type FEP/FEP + PCP (Microstage and Ministage) or H05RN-F (Stage and Megastage) sealed with B component epoxy resin, wired internally protected by silicon sheaths. Stage/Megastage: Fast connector (Ø 7÷12 mm) IP68 supplied as standard for single cable connection. Isolation: CLASS II . Available colours: Aluminium grey (cod.14), Anthracite grey (cod.24). Weight: 4.5467 Kg Glow Wire test: --

**LED module included****REGISTERED DESIGN****MICROSTAGE BLADE OF LIGHT PATENTED, REGISTERED DESIGN**

**This luminaire contains built-in LED modules. In case of damage or malfunction please contact the manufacturer to receive additional instructions on how to replace and relative spare parts to order. The LED modules cannot be handled in the luminaire by the end user.**

**This product contains a light source of energy efficiency class (EPREL - European Product Registry for Energy Labelling): E.**

**LED modules are engineered accordingly to the existing regulations of Lumen Maintenance (LM80) and Technical Memorandum (TM21), where uniformity and quality of the light is 70,000 hours referred to L80 B10 Ta 25 ° C (50,000 hours referable to L80 B10 Ta 40°C). Lifespan of the luminaire min. 70.000 hours Ta 25°C, min. 50,000 hours at 40°C. Performance Ambient temperature Tq 25°C. Operating ambient temperature range is from -20°C to +50°C. Storage temperature range from -20°C to +60°C.**

**ELECTRONIC EQUIPMENT SENSITIVE TO OVERVOLTAGE.**

**We recommend installing surge protection devices "SPD" in the electrical system.** Protection devices prevent the intensity of these phenomena's, protecting the appliances from the risk of being damaged and extending the lifespan. Outdoor luminaires are subject to all types of permanent, temporary, or transient electrical disturbances. Such disturbances can create permanent damage or failure affecting its performance and durability. The surge protection device (supplied by SIMES) is utilized to limit the destructive effect of these phenomena. We suggest that each luminaire must be connected to one protection device at not more than 10m away. For correct coordination of the protections, a surge protection device must also be provided inside the electrical panel of the system (the selection of this device must be carried out from the electrical designer and is not supplied by SIMES).

## STAGE ROUND SPOT

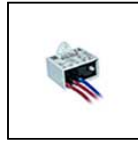
## S.1320N.24 (Anthracite grey)



## ACCESSORIES



**S.1328**  
**VISOR**  
In aluminium Colour: black (code 09)



**S.2499**  
**SURGE PROTECTION DEVICE 10kV CLASS II**  
Compatible with all lighting fixtures and electronic ballast accessories classified under electrical Protection Class II Rated voltage 230-277V SPD type 2+3 Max Surge Protection 10kV IP67  
EACH FIXTURE MUST BE CONNECTED TO ONE SINGLE SURGE PROTECTION DEVICE AT A DISTANCE OF NO MORE THAN 10m AWAY.



**S.3554**  
**STAKE IN POLYPROPYLENE**  
Colour: black (code 09)  
Total length = 420 mm



**S.2490**  
**Signal converter Input PUSH DIM Output DALI 2**  
Features DALI-2 dimming (1-100%). Control unit for the conversion from push button to DALI-2 interface. Allowed powering up to 35 DALI-2 interface in BROADCAST. Input current typ. 70 Ma - max. 110 Ma. Application in installation boxes. Light regulation 1-100% by means of PUSH: - a short push to turn on and off; - a longer push to increase or decrease light intensity. Dimensions 43mm x 46mm x 18.5mm



**S.2492**  
**Virtual Midnight Interface Device IP20**  
Compact control IP20 module for automatic power reduction / brightness reduction for night-time. The device has an integrated bus supply (20mA) for up to 7 DALI luminaires. Possibility to extend up to max. 64 luminaires through the DALI Expander (S.2494). 2 operating modes are supported: - Operating mode B1: power reduction through mains phase or control phase; - Operating mode B2: power reduction using virtual midnight calculation. All necessary settings can be made using rotary and slide switches. The device must be located before the DALI luminaire inside an electrical cabinet / waterbox / junction box.



**S.2493**  
**Virtual Midnight Interface Device IP67**  
Compact control module for automatic power reduction / brightness reduction for night-time. The device has an integrated bus supply (20mA) that allows to control up to 7 DALI luminaires / DALI control gear. 2 operating modes are supported: - Operating mode B1: power reduction through mains phase or control phase; - Operating mode B2: power reduction using virtual midnight calculation. All necessary settings can be made using rotary and slide switches present on the device present inside the waterbox. The device must be located before the DALI luminaire / DALI control gear.



**S.2494**  
**DALI EXPANDER**  
The IP20 DINrail device is used to extend a DALI circuit via broadcast. The received input signal is amplified and transmitted in broadcast to the DALI luminaires / DALI control gears. The DALI Expander has an integrated DALI bus power supply (200mA) which can control up to a maximum of 64 DALI devices within 300 meters.