

Adytum Space

Adytum Space is a flexible, fully upholstered space division system that allows you to create the collaborative and breakout spaces you need.

Lightweight board construction with foam-laminated fabric.
Adjustable levelling feet.
Steel link fixings.

Available in four height versions.

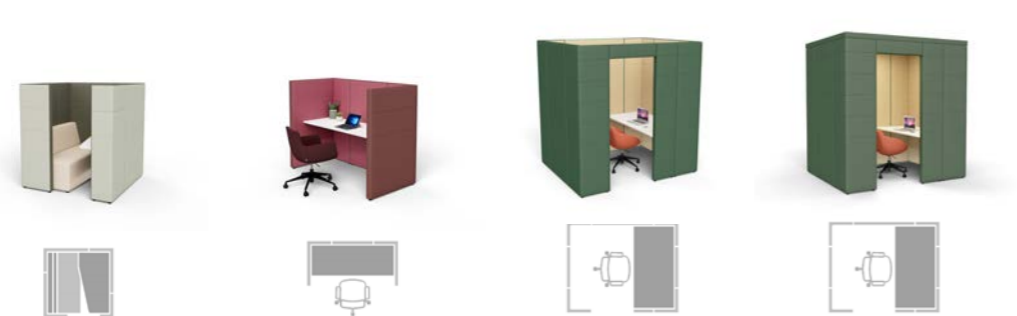


sixteen3

Adytum Space



Adytum Space



Example Layouts

Example Layouts	Workbooth	Touchdown Desk	Workstation Pod	Workstation Pod incl. Roof & LED Lighting
Configuration Code	AD-SP-EX-WB	AD-SP-EX-TD	AD-SP-EX-WP	AD-SP-EX-WPWR
Individual Breakdown	3x AD-SP-800-CL-L 1x AD-SP-BD-RH-L 1x AD-SP-1200-B	1x AD-SP-800-CR-L 1x AD-SP-800-CL-L 1x AD-SP-800-L 1x AD-SP-MID-DT	4x AD-SP-C-H 1x AD-SP-DOOR 1x AD-SP-400-H 2x AD-SP-800-H 1x AD-SP-1200-H 1x AD-SP-LRG-DT	4x AD-SP-C-H 1x AD-SP-DOOR 1x AD-SP-400-H 2x AD-SP-800-H 1x AD-SP-1200-H 1x AD-SP-LRG-DT 1x AD-SP-RWL
Dimensions	H1410 x W1370 x D1370mm	H1410 x W1770 x D885mm	H2200 x W1770 x D2170mm	H2285 x W1770 x D2170mm



Example Layouts

Example Layouts	Phonebooth incl. Roof & LED Lighting	3x Touchdown Desk	4x Touchdown Desk	Media Wall with Touchdown Desk
Configuration Code	AD-SP-EX-WB	AD-SP-EX-3TD	AD-SP-EX-4TD	AD-SP-EX-MW
Individual Breakdown	n/a	1x AD-SP-800-CR-L 1x AD-SP-800-CL-L 2x AD-SP-T-L 3x AD-SP-400-L 3x AD-SP-SML-DT	2x AD-SP-T-EL 1x AD-SP-X-EL 6x AD-SP-400-EL 4x AD-SP-SML-DT	n/a
Dimensions	H2300 x W970 x D885mm	H1410 x W3940 x D885mm	H1100 x W2655 x D1685mm	H1710 x W1750 x D885mm

Above **Media Wall** includes cable channelling and reinforced panels to take AV equipment. (not supplied)
Max screen 43" - 15kg

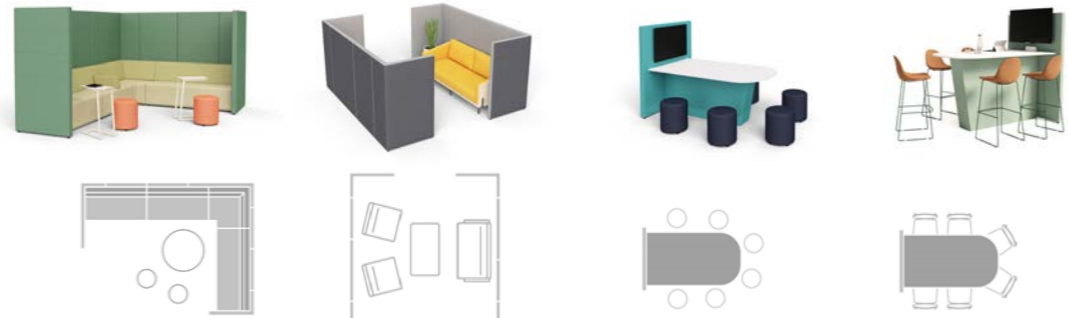
Adytum Space



Adytum Space



Example Layouts



Corner Lounge

Configuration Code

AD-SP-EX-CL

Individual Breakdown

2x AD-SP-1200-CR-M
1x AD-SP-800-CL-M
4x AD-SP-800-M
1x AD-SP-C-B
2x AD-SP-1200-B
1x AS-SP-1600-B

Dimensions

H1710 x W2570
x D3370mm

Open Space Lounge

AD-SP-EX-OSP

2x AD-SP-800-CR-L
2x AD-SP-800-CL-L
2x AD-SP-1200-L
2x AD-SP-800-L

H1410 x W1770
x D885mm

Standard Height Media Unit

AD-SP-EX-MED18-SH

1x AD-SP-1200-L
1x AD-SP-MED18-SH

H1410 x W1200
x D1885mm
Table Height: 750mm

Poseur Height Media Unit

AD-SP-EX-MED18-PH

1x AD-SP-1200-M
1x AD-SP-MED18-PH

H1710 x W1200
x D1885mm
Table Height: 1100mm

Example Layouts



Small Square Pod

Configuration Code

AD-SP-EX-SSP

Individual Breakdown

4x AD-SP-C-H
1x AD-SP-DOOR
3x AD-SP-400-H
1x AD-SP-800-H
3x AD-SP-1200-H

Dimensions

H2200 x W2570
x D2570mm

Booth Pod incl. Roof & LED Lighting (excl. Table)

AD-SP-EX-BPWR

4x AD-SP-C-H
2x AD-SP-800-H
2x AD-SP-1600-B
1x AD-SP-RWL

H2285 x W2170
x D1770mm

Hexagonal Workstation Pod Right Hand opening shown

Right: AD-SP-EX-HWP-R
Left: AD-SP-EX-HWP-L

1x AD-SP-1200-L
3x AD-SP-800-L
1x AD-SP-400-L
4x AD-SP-TRI-L
1x AD-SP-TRI-DT

H1410 x W1950
x D1556mm

Hexagonal Twin Pods

AD-SP-EX-2HX

10x AD-SP-TRI-H
9x AD-SP-1200-H
2x AD-SP-400-H
2x AD-SP-DOOR

H2200 x W4430
x D3350mm

Above **Media Units** include cable channelling and reinforced panels to take AV equipment (not supplied)
Max suggested screen size 43" - 13kg

Adytum Space



As a completely modular system Adytum Space components can be combined in infinite ways to create a solution for almost any situation.

Pick from the pieces listed to come up with your own concepts, or speak to us to work together on finding the best layout for you.

Adytum Space

HEIGHTS	Extra Low	Low	Mid	High		
Product Code	-EL	-L	-M	-H		
Dimensions	W400 x D85mm	W800 x D85mm	W1200 x D85mm	W885 x D885mm		
VERSIONS	400mm Wall	800mm Wall	1200mm Wall	T-Wall (Extra Low to Mid)	T-Wall (High)	Cross Wall
Product Code	AD-SP-400-xx	AD-SP-800-xx	AD-SP-1200-xx	AD-SP-T-xx	AD-SP-T-H	AD-SP-T-H
Dimensions	W400 x D85mm	W800 x D85mm	W1200 x D85mm	W885 x D885mm	W885 x D485mm	W885 x D885mm
	800mm Corner Right	800mm Corner Left	1200mm Corner Right	1200mm Corner Left	Corner Wall (High)	
Product Code	AD-SP-800-CR-xx	AD-SP-800-CL-xx	AD-SP-1200-CR-xx	AD-SP-1200-CL-xx	AD-SP-C-H	
Dimensions	W485 x D885mm	W485 x D885mm	W485 x D1285mm	W485 x D1285mm	W485 x D485mm	
	Triangular Links				Door Opening Link	
Product Code	AD-SP-800-CR-xx	Triangular Links allow standard wall panels to be connected at 120° angles to create hexagonal pods.		AD-SP-DOOR		
Dimensions	W85 x D75mm			W800 x D85 X H2200mm Internal Height: 2000mm		

Adytum Space

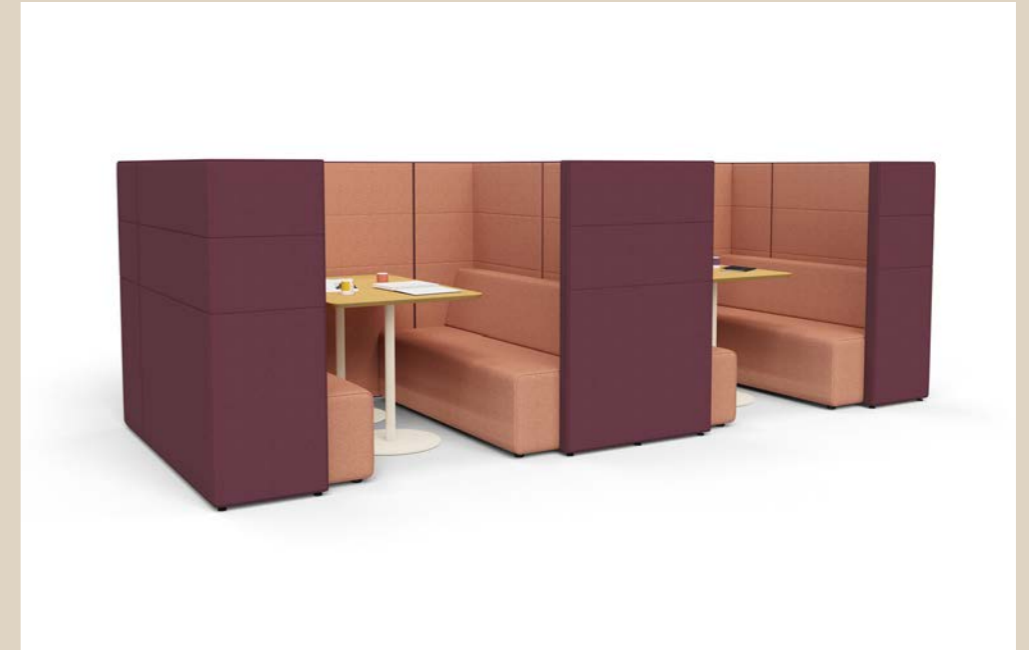







Fully upholstered bench units can be incorporated within Adytum Space wall panels to add coordinated functionality.

Use to create individual work pods or breakout lounges that delineate open spaces.

Hardwood and plywood frames with CME foam padding & loose backrest cushions.

Adytum Space



					
Product Code	800mm Bench AD-SP-800-B	1200mm Bench AD-SP-1200-B	1600mm Bench AD-SP-1600-B	Corner Bench AD-SP-C-B	Arm Cushion AD-SP-ARM
Dimensions	H760 x W800 x D650 x SH410mm	H760 x W1200 x D650 x SH410mm	H760 x W1600 x D650 x SH410mm	H760 x W800 x D800 x SH410mm	H200 x W150 x D460mm

NOTE: Standard Benches must be used in conjunction with **Adytum Space** walls. If freestanding Adytum Space seating is required please specify versions which include Backrest support panels.

POWER



Optional built-in Power Modules

Adytum Space

Desking & tabletop panels can be incorporated into Adytum Space setups to create informal drop-in desk areas, group meeting spaces or even private work pods.



	Booth Desk Extra Low Corner Wall & Top	Booth Desk Low Corner Wall & Top	Booth Desk Mid Corner Wall & Top
Product Code	Right: AD-SP-BD-RH-EL Left: AD-SP-BD-LH-EL	Right: AD-SP-BD-RH-L Left: AD-SP-BD-LH-L	Right: AD-SP-BD-RH-M Left: AD-SP-BD-LH-M
Dimensions	H1110 x W1285 x D685mm Desk Top Height: 650mm	H1410 x W1285 x D685mm Desk Top Height: 650mm	H1710 x W1285 x D685mm Desk Top Height: 650mm

	Ledge Top	Small Desk Top	Mid Desk Top	Large Desk Top
Product Code	AD-SP-LT	AD-SP-SML-DT	AD-SP-MID-DT	AD-SP-LRG-DT
Dimensions	W800 x D300mm Surface Height: 1100mm	W1200 x D600mm Surface Height: 750mm	W1600 x D600mm Surface Height: 750mm	W1600 x D800mm Surface Height: 750mm

	Triangular Desk Top	Triangular Media Top	TOP FINISH White as standard. Other colours available P.O.A. (m.o.q. may apply)
Product Code	AD-SP-TRI-DT	AD-SP-TRI-MED	
Dimensions	W1385 x D795mm Surface Height: 750mm	W1400 x D600mm Surface Height: 750mm	

	1200mm Media Table Standard Height	1200mm Media Table Poseur Height	1800mm Media Table Standard Height	1800mm Media Table Poseur Height
Product Code	AD-SP-MED12-SH	AD-SP-MED12-PH	AD-SP-MED18-SH	AD-SP-MED18-PH
Dimensions	H750 x W1000 x D1200mm	H1100 x W1000 x D1200mm	H750 x W1000 x D1800mm	H1100 x W1000 x D1800mm

Media Tables are designed to be fixed to 1200mm Wall panels on the flat edge.


Adytum Space

FABRICS

Standard fabrics for the wall panel units are from the following **Camira** collections:

- Group 1:**
Advantage
Canopy
Era
Rivet
Carlow
 - Group 2:**
Mainline Plus
Mainline Flax
Blazer Lite
X2
Aspect
Patina
Quest
 - Group 3:**
Blazer
Hemp
Synergy
Sumi
Oceanic
 - Group 4:**
Aquarius
Track
24/7 Flax
Silk
Kyoto
 - Group 5:**
Craggan Flax
Zap
Yoredale
 - Group 6:**
Synergy Quilted
- Other ranges & manufacturers available on request.
- For Bench units, fabric can be chosen from any of our standard groups.



Product Code	AD-SP-400-RWL	
Dimensions	W2170 x D1770mm	



CASTORS
Available to create mobile units. (Not all layouts are suitable for castors, check before ordering.)

POWER



Optional built-in Power Modules available.

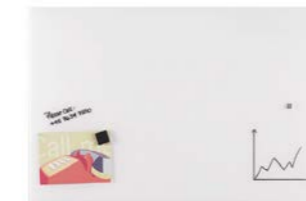
AV LINK PANEL



Option of reinforcement to take screen mount and cable channel with grommet
(Mounting bracket & AV equipment not supplied).
Max suggested screen size 50" - 15kg depending on arrangement.



SUPPORT FEET
Used to add stability to freestanding arrangements



WHITEBOARDS
can be incorporated into Wall panels



LIGHTING can be incorporated into Wall panels.

Warranty Information

5 YEAR – NORMAL FAIR WEAR & TEAR

This includes the structure and any foam/padding materials.
Fabrics are covered by fabric manufacturers' warranties, usually 5 years, dependant on fabric choice.

Please refer to full **sixteen3** Warranty information document for more details.
sixteen3 ltd reserve the right to update product data information without prior notice.

Standards

FLAMABILITY

The foams & fillings of this product meet BS EN 5852: Part 2, in accordance with The Furniture and Furnishings (Fire) (Safety) Regulations 1988.

CONSTRUCTION

Designed to meet & exceed BS EN 16139: 2013 – Strength, Durability and Safety Requirements for non-domestic seating.

SURFACES

Laminate surfaces tested to EN 438-2 for scratch resistance in horizontal surfaces. Powdercoated MDF surfaces certified to FIRA 6250. The powder conforms to the industries severest testing, and passes all performance requirements for resistance to impact, dry and wet heat, as well as resistance to cold liquids, oils and fats.

Cleaning & Maintenance

GENERAL MAINTENANCE

- Vacuum upholstery regularly to remove dust and grit.
- Most hard surfaces can be cleaned with a soft cloth, dampened with a small amount of water and buffed dry.
- Clean spills and stains quickly to prevent them setting in (see specific fabric care instructions below).
- If being used in a spill/stain prone area specify an appropriate finish with stain-repellent properties.

Refer to fabric manufacturers own guidelines for specific information.

NATURAL FABRICS

In addition to regular vacuuming, wool and other natural fibres can usually be cleaned using appropriate upholstery shampoo. For a deeper clean it is best that wool be dry cleaned, as over-wetting can cause shrinkage and appearance change. Never apply bleach, ammonia, alkali or strong acids to wool upholstery.

SYNTHETIC FABRICS

Vacuuming is the best regular maintenance followed by speed of action to remove spills and stains rapidly as soon as they occur. Most synthetic fabrics can be wiped down with a water soaked damp cloth without fear of damaging fibre or removing colour. Stubborn stains can be removed with a quality upholstery shampoo.

LEATHER

Leather should be regularly dusted with a soft cloth and vacuumed with a soft brush extension.
Most types of aniline can also be treated with specialist products to help preserve colour/finish etc.
As leather is a natural material, discrepancies in surface texture and 'puddling' in seat areas is to be expected.

LAMINATE FINISHES

Clean surfaces regularly with a slightly damp cloth and buff dry with a soft duster. The finish on all wood and laminate surfaces is designed to withstand moderate heat and some spillages, but all spillages should be wiped off with a damp cloth straight away. Do not drag any objects across any table tops. Certain wood finishes will naturally change in appearance with age. We cannot guarantee an exact match of any timber products.

POLISHED METAL

Clean surfaces regularly with a soft cloth. A high quality chrome cleaner can be used to protect against tarnish and maintain the reflective finish.

POWDER COATED & PAINTED

Clean surfaces regularly with a slightly damp cloth and a mild solution of soapy water. Buff dry with a soft duster.



CONTACT

+44 1925 850 500
info@sixteen3.co.uk
@sixteen3_ltd

HQ:
Unit 2, Westway21
Chesford Grange
Woolston, Warrington
Cheshire
WA1 4SZ

London:
25 Bastwick St
Clerkenwell
London
EC1V 3PS

Manchester:
Material Source Studio
1 Federation St
NOMA
Manchester
M4 4BF

sixteen3.co.uk