
BuzziHub

Product Specification Sheet

This document contains technical information about the BuzziHub



www.buzzi.space



Temporary work or meeting space

BuzziHub is a space where people can easily come together and share information. It has been designed to become a central point in the social life of an office. It can serve as an informal meeting room for temporary or full time employees.

BuzziHub has been designed in order to make you feel at home. It is a warm and comfortable environment made to facilitate communication and improve personal wellbeing.

Design by Alian Gilles

General

- 📍 Hub, Hub Single
- 📍 Pattern: Inside: 3D Diamond | Rib
Outside: Flat
- 🌲 Structure: Poplar plywood: 18 mm | 0.71"
- 🌲 Cover: Inside: acoustic foam covered with fabric
Outside: layer of felt covered with Fabric, Trevira CS+
- 🔧 Flat Packed
- 🛋️ Cushion, Armrest (optional)
- ⋯ Bicolor (optional)
Light (optional)

Acoustics



Absorption



Diffusion



Attenuation



Mid tone



High tone

Certifications

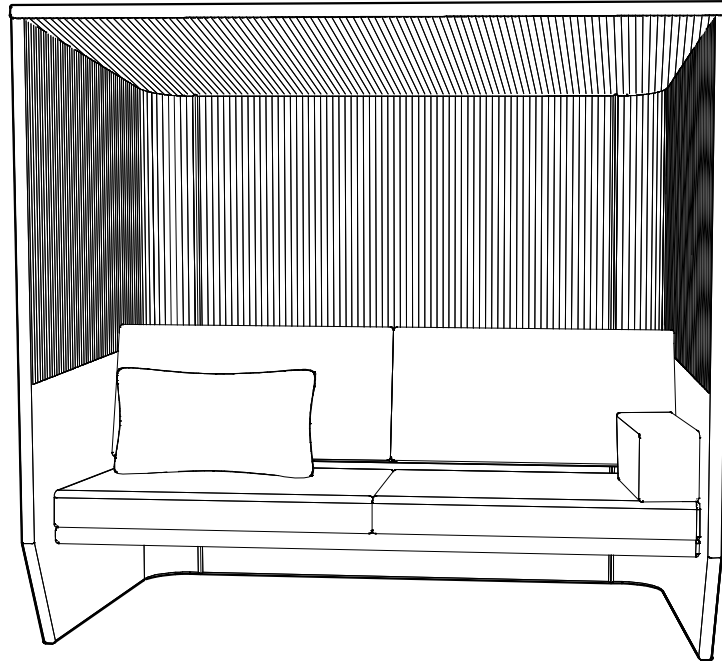


Content

Configurations	3
Options	6
Fabrics	8
Dimensions	10

Configurations

BuzziHub



Hub



Pattern: Inside: 3D Diamond | Rib
Outside: Flat

Core: Poplar plywood: 18 mm | 0.71"



Cover: Inside: acoustic foam covered with fabric

Outside: layer of felt covered with Fabric, *Trevira CS+

Cushion, Armrest: upholstered in Fabric, *Trevira CS+, Revive 1, Clara 2, Remix 3, Hero 2, Tonus 4



Height: 188 cm | 74.02"

Width: 201 cm | 79.13"

Depth: 117 cm | 46.06"



130 kg | 286.60 lbs

Cushion, Armrest (optional)

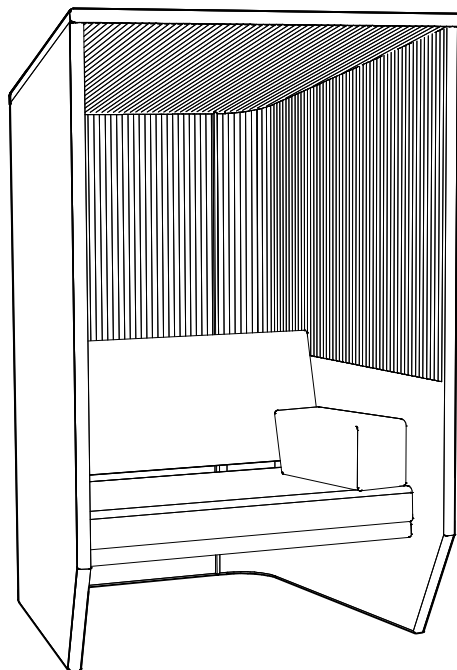


Bicolor (optional)

Light (optional)

*Only available in Trevira CS+, not in regular CS.

BuzziHub Single



Hub Single



Pattern: Inside: 3D Diamond | Rib
Outside: Flat

Core: Poplar plywood: 18 mm | 0.71"

Cover: Inside: acoustic foam covered with fabric



Outside: layer felt covered with Fabric, *Trevira CS+

Cushion, Armrest: upholstered in Fabric, *Trevira CS+, Revive 1, Clara 2, Remix 3,
Hero 2, Tonus 4



Height: 188 cm | 74.02"

Width: 119 cm | 46.85"

Depth: 117 cm | 46.06"



110 kg | 242.51 lbs

Cushion, Armrest (optional)



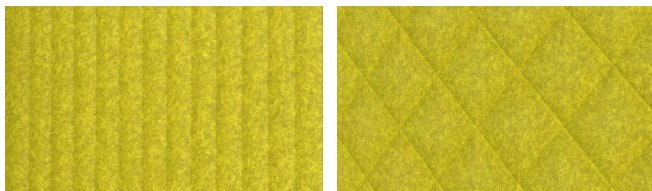
Bicolor (optional)

Light (optional)

*Only available in Trevira CS+, not in regular CS.

Options

Pattern inside



Pattern inside: 3D Rib or Diamond

LED Light (optional)



Optional LED light located at the back of the Bench.
Specifications p.7

Cushion (optional)



Optional cushion
W 65 cm | 25.59"
L 35 cm | 17.78"

Armrest (optional)



Optional armrest
W 17,5 cm | 6.89"
L 52 cm | 20.47"
H 21 cm | 8.27"

Bicolor (optional)

Optional bicolor:
1 color outside ,1 color inside including bench



Option BackLight

General

- 💡 Connectable integrated LED tube
- 🌲 Material: Aluminum body, Clear PC cover
- LED: SMD 3014
- 💡 Color temperature: 3000 Kelvin
- Input Voltage / Frequency: 100 - 277 V 50/60Hz



Certifications

cULus Listed E471267 or ETL Certified
CE

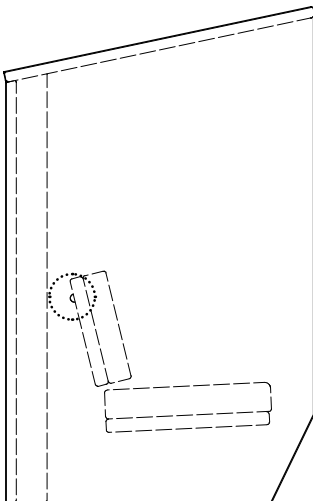
Specifications per element

Wattage: 7W / element
Lumen: 700 ±10% / element
Length: 55,5 cm - 21.85" / element
1 On-Off switch / element

Accessories

Power cable: White
4 m – 157.48"
Type B Plug (US, ...), Type G Plug (UK, ...) or Schuko Plug (BE, NL,...)

Mounting clips
Connector accessories

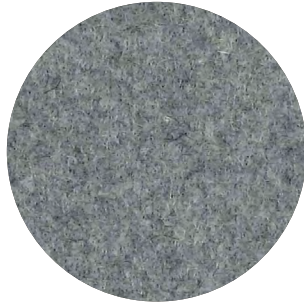


Fabrics

Panels | Bench available in: Fabric or Trevira CS+

Cushion, Armrest available in: Fabric, Trevira CS+, Revive 1, Clara 2, Remix 3, Hero 2 or Tonus 4

Fabric (45 colors)



Category A

Composition 70% Recycled Wool, 25% Recycled Polyacryl,
5% Recycled Other Fabrics

Weight 405 g/m² | 11.94 oz/yd²

Abrasion resistance 40.000 Martindale, 50,000 Wyzenbeek

Flammability EU: EN 1021.1/2006 | BS EN 1021.1/2006 (cigarette).

EN 1021.2/2006 | BS EN 1021.2/2006 (match)

USA: CAL TB 117 | ASTM E84 CLASS A

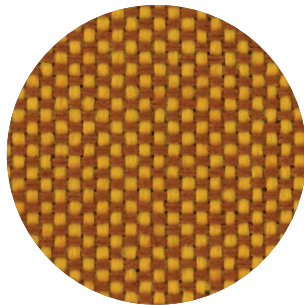
Fastness to light EU: 4 | USA 4

Fastness to rubbing EU: Wet 3-4 | Dry 4-5

Fastness to crocking USA: Wet 5 | Dry 5



Trevira CS+ (47 colors)



Category A

Weight 420 g/m² | 12.39 oz/yd²

Composition 100% Polyester, Trevira CS+

Abrasion resistance 100.000 Martindale, 90,000 Wyzenbeek

Flammability BS 5852 part II: CRIB 5 | BS 7176 Medium Hazard

USA: CAL TB 117 | M1 | B1 | EN 1021/1-2 | C1 |

IMO Res. A652 (16)

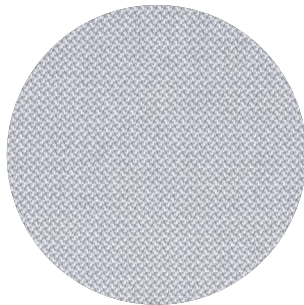
Fastness to light EU: 6 | USA 5

Fastness to rubbing EU: Wet 4-5 | Dry 4-5

Fastness to crocking USA: Wet 5 | Dry 5



Revive 1 (25 colors)



Category A

Composition 100% recycled polyester FR

Weight 430 g/lin.m

Abrasion resistance 60.000 Martindale rubs, EN ISO 12947

Flammability EN 1021-1/2 | DIN 4102 B1 | Önorm B1/Q1

UNI 9175 1IM | US Cal. Tech. Bull. 117

IMO A.652 (16)

Fastness to light Note 5-7, ISO 105-B02

Fastness to rubbing (ISO) dry 5, wet 4-5

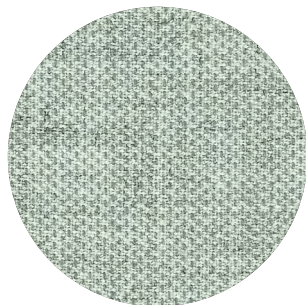
Pilling Note 4-5, EN ISO 12945



kvadrat

Clara 2 (24 colors)

kvadrat



Category B

Composition 92% new wool, 8% nylon

Weight 400 g/lin.m

Abrasion resistance 80.000 Martindale rubs, EN ISO 12947

Flammability EN 1021-1/2 | BS 5852, ignition source 2-3 | DIN 4102 B2
NF D 60 013 | UNI 9175 11M | US Cal. Tech. Bull. 117, Sec. E
NFPA 260 | IMO A.652(16)

Fastness to light Note 5-7, ISO 105-B02

Fastness to rubbing (ISO) dry 4-5, wet 4

Pilling Note 4, EN ISO 12945



Remix 3 (73 colors)

kvadrat



Category B

Composition 90% new wool, 10% nylon

Weight 415 g/lin.m

Abrasion resistance 100.000 Martindale rubs, EN ISO 12947

Flammability EN 1021-1/2 | BS 5852 part 1
Önorm B1/Q1 | NF D 60 013 | UNI 9175, 11M
AS/NZS 1530.3 | Cal. Tech. Bull. 117-2013
NFPA 260 | IMO FTP Code 2010:Part 8

Fastness to light Note 5-7, ISO 105-B02

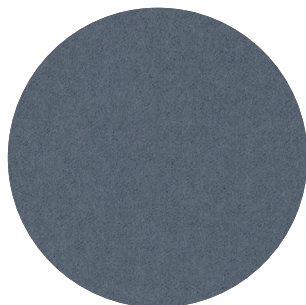
Fastness to rubbing (ISO) dry 4-5, wet 4

Pilling Note 4, EN ISO 12945



Hero 2 (33 colors)

kvadrat



Category C

Composition 97% new wool, 3% nylon

Weight 580 g/lin.m

Abrasion resistance 45.000 Martindale rubs, EN ISO 12947

Flammability EN 1021-1/2 | DIN 4102 B2 | NF D 60 013
UNI 9175 11M | US Cal. Bull. 117-2013 | NFPA 260
IMO A.652 (16)

Fastness to light Note 5-6, ISO 105-B02

Fastness to rubbing (ISO) dry 4-5, wet 4-5

Pilling Note 3-4, EN ISO 12945



Tonus 4 (47 colors)

kvadrat



Category D

Composition 90% new wool, 10% Helanca

Weight 665 g/lin.m

Abrasion resistance 100.000 Martindale rubs, EN ISO 12947

Flammability EN 1021-1/2 | BS 5852 part 1 | DIN 4102 B2
Önorm B1/Q1 | NF D 60 013 | UNI 9175 11M
US Cal. Bull. 117-2013 | NFPA 260 | IMO A.652 (16)

Fastness to light Note 5-7, ISO 105-B02

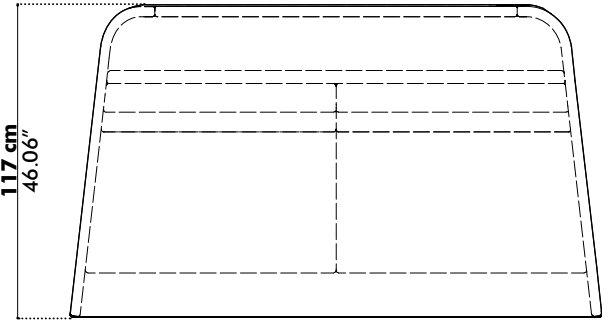
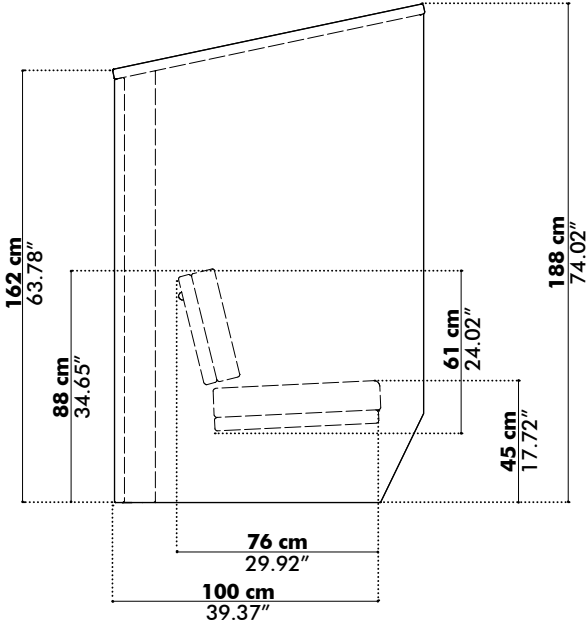
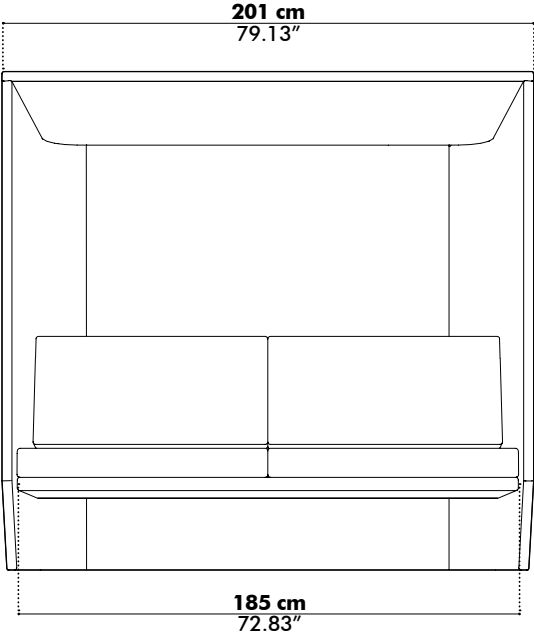
Fastness to rubbing (ISO) dry 3-5, wet 3-5

Pilling Note 3, EN ISO 12945

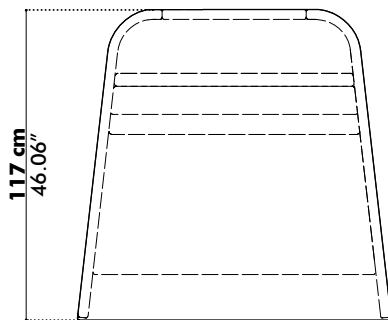
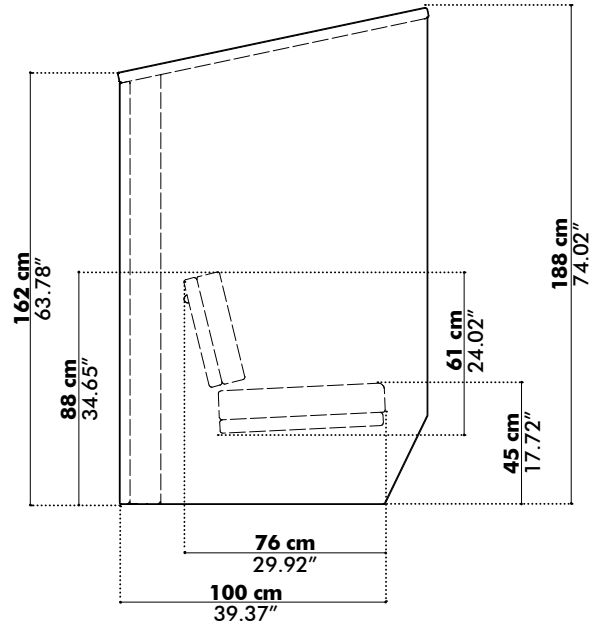
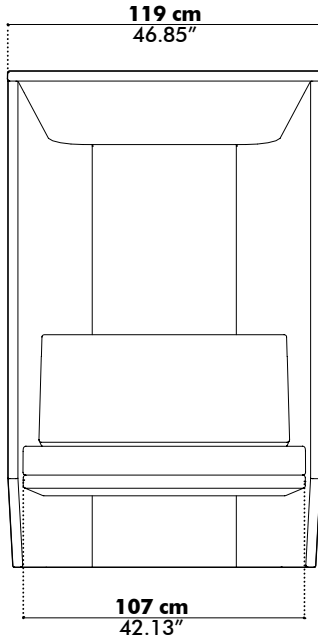


Dimensions

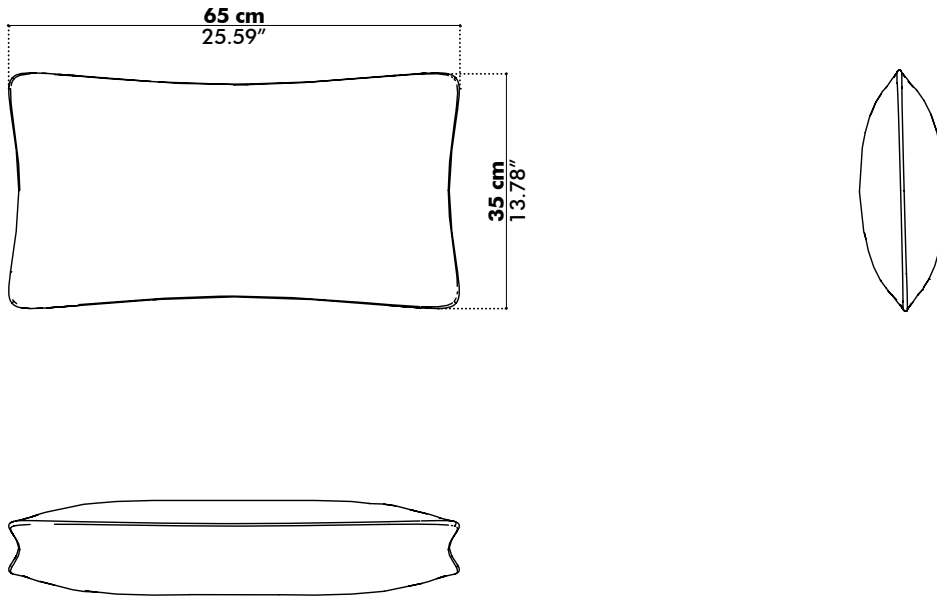
BuzziHub



BuzziHub Single



BuzziHub Cushion (optional)



BuzziHub armrest (optional)

