

# LEM

Shin & Tomoko Azumi | 2000



# LEM

**Shin & Tomoko Azumi | 2000**

In 1969, man landed on the moon in the LEM (Lunar Excursion Module). In 2000, at the turn of the millennium, the LEM stool was created and became one of the symbols of Lapalma's style. The same lightness, the same absence of gravity, which, in the void created by the design, fosters its relationship with the environment. And like the Apollo 11, as it could not bear unnecessary weights, this amazing chair incorporated all functions in a highly elegant minimalist profile. Only the essential, the rest stayed on the ground.



# LEM

Shin & Tomoko Azumi | 2000

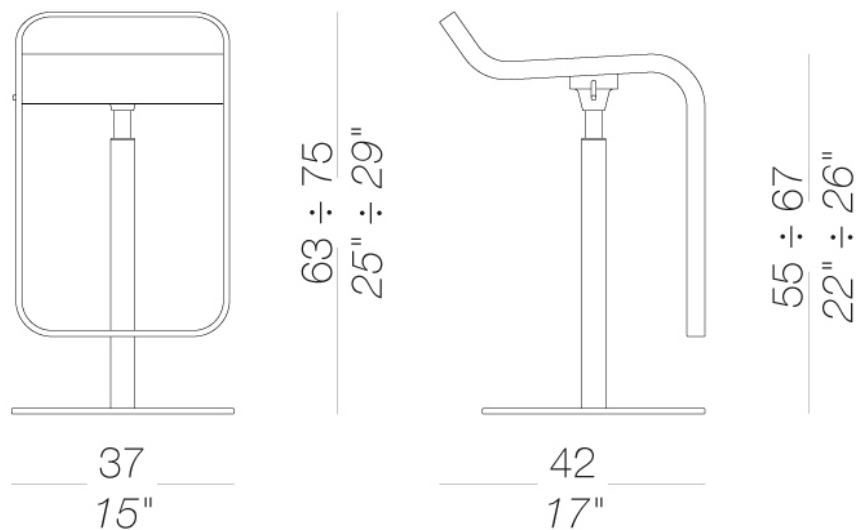


## S79 | Height-adjustable stool stool H55 ÷ 67 mat chromed gas lift

Stool with swivel seat and adjustable height with metal frame mat chromed and base covered by a stainless steel sheet Aisi304 "linen fabric" pattern or entirely powder coated. Mat chromed piston. Seat in plywood in several finishes. Felt under the base.

TEST DIN 68 877/81 5.6

TEST 1 IM - Valencia



# LEM

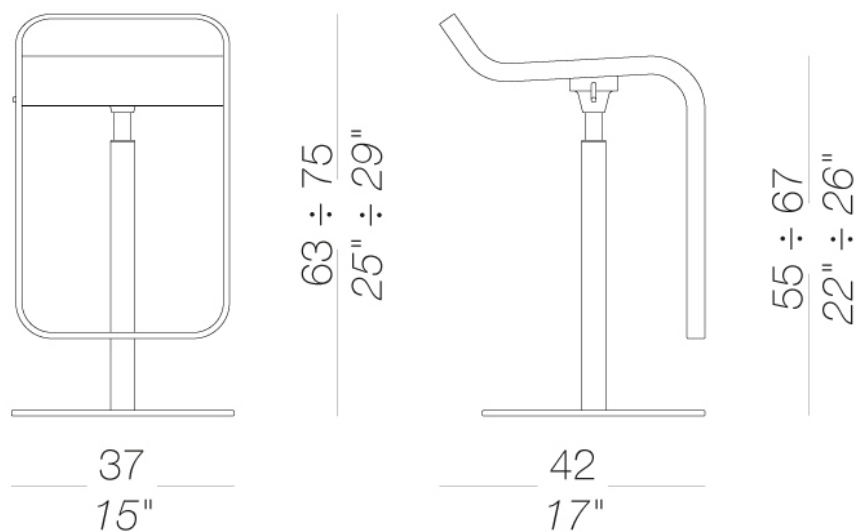
Shin & Tomoko Azumi | 2000

## S79 | Height-adjustable stool Stool H55÷67 powder coated gas lift

Stool with swivel seat and adjustable height with metal frame powder coated. Powder coated piston. Seat in plywood in several finishes. Felt under the base.

TEST DIN 68 877/81 5.6

TEST 1 IM - Valencia



# LEM

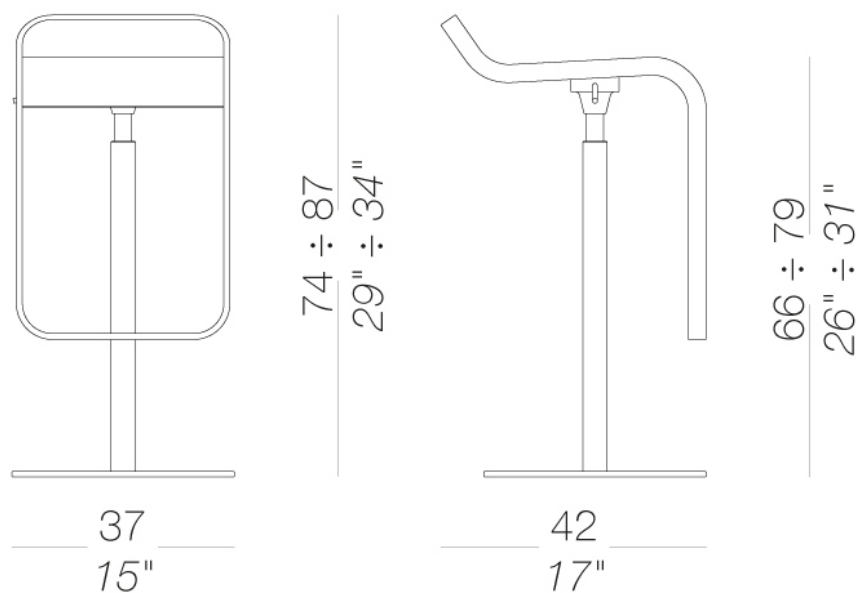
Shin & Tomoko Azumi | 2000

## S80 | Height-adjustable stool Stool H66÷79 mat chromed gas lift

Stool with swivel seat and adjustable height with metal frame mat chromed and base covered by a stainless steel sheet Aisi304 "linen fabric" pattern or entirely powder coated. Mat chromed piston. Seat in plywood in several finishes. Felt under the base.

TEST DIN 68 877/81 5.6

TEST 1 IM - Valencia



# LEM

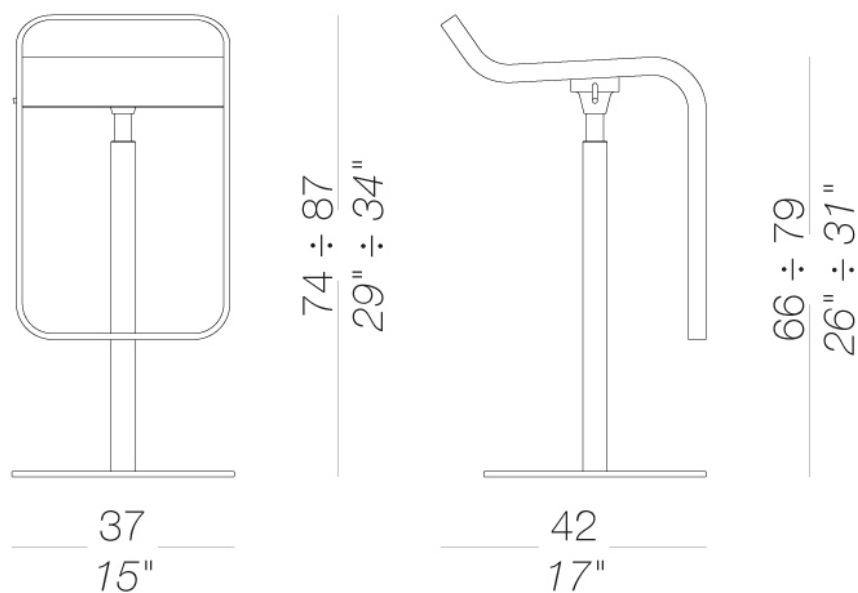
Shin & Tomoko Azumi | 2000

## S80 | Height-adjustable stool Stool H66÷79 powder coated gas lift

Stool with swivel seat and adjustable height with metal frame powder coated. Powder coated piston. Seat in plywood in several finishes. Felt under the base.

TEST DIN 68 877/81 5.6

TEST 1 IM - Valencia



# LEM

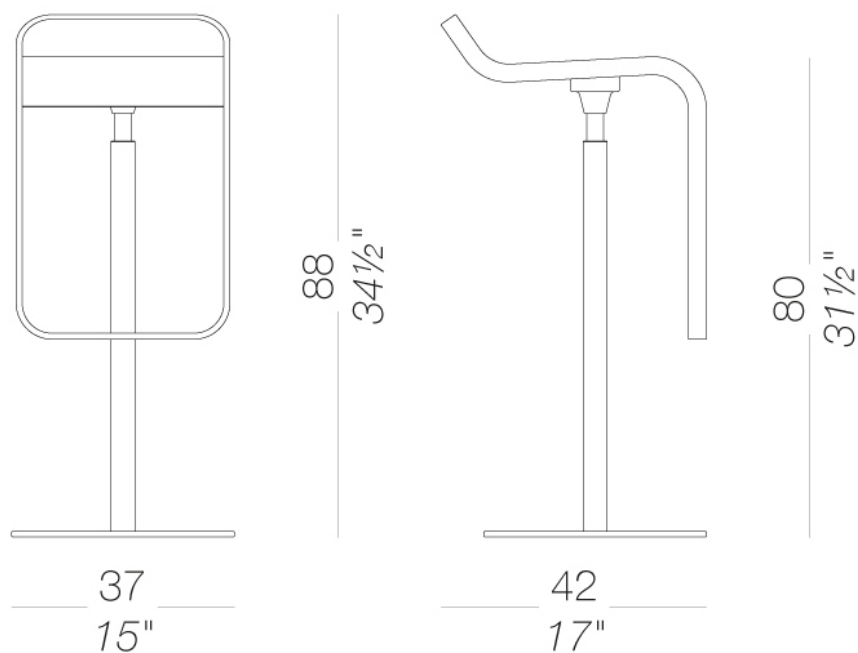
Shin & Tomoko Azumi | 2000

## | S81 Stool H80

Stool with fix height, swivel seat with metal frame mat chromed and base covered by a stainless steel sheet Aisi304 "linen fabric" pattern or entirely powder coated. Seat in plywood in several finishes. Felt under the base. Also available with self-return mechanism.

TEST EN 1728:2000 6.2.1-6.2.2 - EN 15373:2007 - L3 severe  
TEST DIN 68 877/81 5.6

TEST 1 IM - Valencia



# LEM

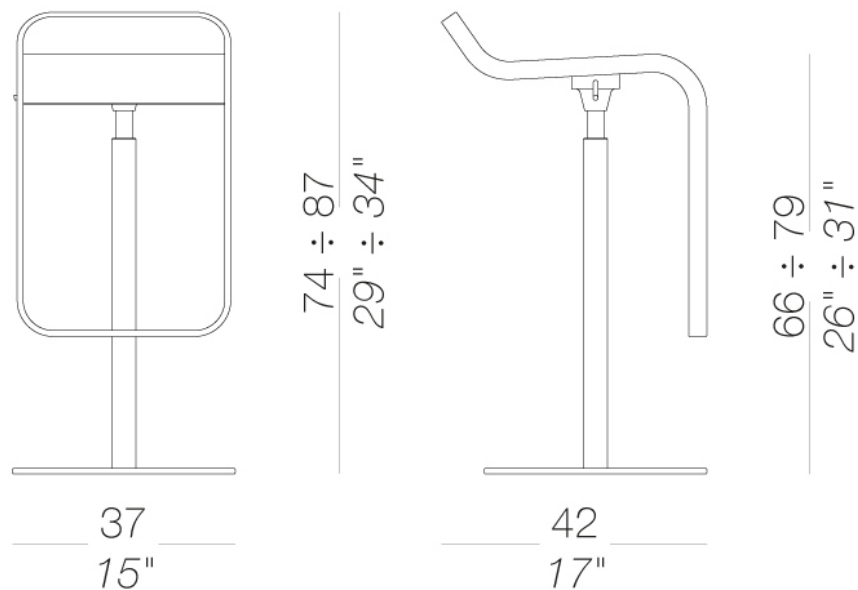
Shin & Tomoko Azumi | 2000

## | S83 Stool H66÷79 self-returning seat mat chromed gas lift

Stool with swivel seat and adjustable height with self-returning mechanism to the original height and to the front position. Metal frame mat chromed and base covered by a stainless steel sheet Aisi304 "linen fabric" pattern or entirely powder coated. Mat chromed piston. Seat in plywood in several finishes. Felt under the base. Also available small base Ø 20 cm. for floor fixing.

TEST DIN 68 877/81 5.6

TEST 1 IM - Valencia





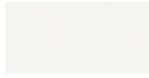
# LEM

Shin & Tomoko Azumi | 2000

## frame



powder coating  
black  
1 Colors



powder coating  
white  
1 Colors



powder coating  
perla  
1 Colors



powder coating  
celeste  
1 Colors



powder coating  
mattone  
1 Colors



powder coating  
caffè  
1 Colors



powder coating  
oliva  
1 Colors

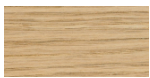


powder coating  
tortora  
1 Colors

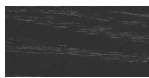


metal  
mat chromed  
1 Colors

## seat



wood  
blanché oak  
1 Colors



wood  
black open pore  
1 Colors



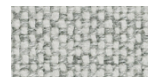
wood  
oak dark walnut  
1 Colors



lacquered  
lacquered  
8 Colors



laminate  
fenix 9/10  
2 Colors



fabric  
Hallingdal 65 -  
Grade C  
58 Colors



fabric  
Canvas 2 - Grade C  
45 Colors



fabric  
Steelcut Trio 3 -  
Grade D  
54 Colors



fabric  
Remix 3 - Grade C  
72 Colors



fabric  
Clara 2 - Grade C  
24 Colors



fabric  
Fiord 2 - Grade C  
39 Colors



fabric  
Divina MD - Grade D  
27 Colors



metal  
stainless steel  
1 Colors



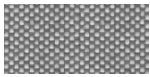
fabric  
Divina Melange 3 -  
Grade D  
38 Colors



fabric  
Tonica 2 - Grade C  
39 Colors



fabric  
Medley - Grade A  
37 Colors



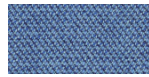
fabric  
Maya - Grade A  
43 Colors



fabric  
Jet - Grade A  
66 Colors



fabric  
Lapalma Smart -  
Grade C  
18 Colors



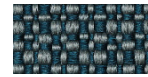
fabric  
Capture - Grade B  
43 Colors



fabric  
Crisp - Grade B  
40 Colors



fabric  
Nattè - Grade B  
30 Colors



fabric  
Ilris - Grade B  
24 Colors



fabric  
Steelcut 3 - Grade D  
40 Colors



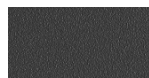
ecoleather  
GRIMM FR - Grade  
A  
32 Colors



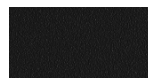
ecoleather  
Valencia - Grade B  
66 Colors



leather  
leather  
7 Colors



plastics  
grey polyurethane  
1 Colors



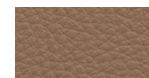
plastics  
black polyurethane  
1 Colors



fabric  
Grain - Grade B  
50 Colors



fabric  
Re-wool - Grade C  
21 Colors



soft-leather  
Soft-leather  
17 Colors

**consult the portfolio for the range of colors, fabrics, eco-leather, soft-leather.**

## use and maintenance instructions

Clean all parts in wood, leather, fabric and metal with a damp cloth or a diluted neutral cleaner. Do not use cleaners with alcohol, bleach, solvent or abrasive products. Any liquid spilt on the product must be wiped up immediately. When lifting or moving the product, hold it on the structure and not under the seat. The product should not be subjected to unbalanced weights, as it is designed for a proper rest on the foothold (on four legs or on the base). Our company relieves from any responsibility in case of damage caused to fragile floors. Avoid any improper use of the product: do not step on the product, on the footrest or on the armrests. Avoid any movements that could compromise the proper functionality of the product or the safety of the users. Wood and leather, being natural materials, could be easily damaged. Small impurities or imperfections are within quality standard range. Do not expose the product to weather conditions or atmospheric agents, nor to heat sources over 40°C. Also products for outdoor use could be afflicted by atmospheric agents. The product could undergo possible exterior changes due to particular exposure to heat, humidity and saltiness. An appropriate and frequent maintenance and cleaning of the product enhances its durability. The product could change colour and shade, if exposed to direct sunlight. Maintenance has to be carried out by experienced staff. Dispose of the package only after assembling the product, in order to avoid the loss of ironmongery and components. Once the product has been dismantled, the product itself or its components must be given to the public garbage disposal system, according to the legislation in force.