



## Bloom

Nahtrang Design

Bath IP44 Bloom LED 7.5 LED warm-white 2700K ON-OFF Black 262lm

### Technical features

Luminaire total power: 7.5W

Real lumens: 262

Real lm/W: 35

Correlated Colour Temperature (CCT): LED warm-white 2700K

UGR: <=19

Structure material: Steel

Structure finish: Black

Diffuser material: Glass

Diffuser finish: Opal white

Driver Brand: HEP

Voltage / frequency: 100-277VAC/50-60Hz

Dimming protocol: ON-OFF

Power Factor: 0.87

THD%: 9.9

Useful life: 50,000h L80B20

Warranty: 5 años

Easily recyclable luminaire



### Luminotechnic features

TM30 RG: 99

TM30 RF: 92

Melanopic ratio: 0.48

CRI: 90

MacAdam steps: 2

Photobiological risk: RG1

UGR crosswise: 18.9

UGR lengthwise: 18.9

| Lampholder | Quantity | Light source power (W) |
|------------|----------|------------------------|
| LED        | 1        | 6.3W                   |

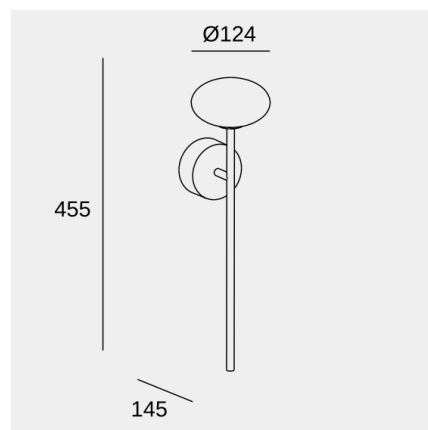
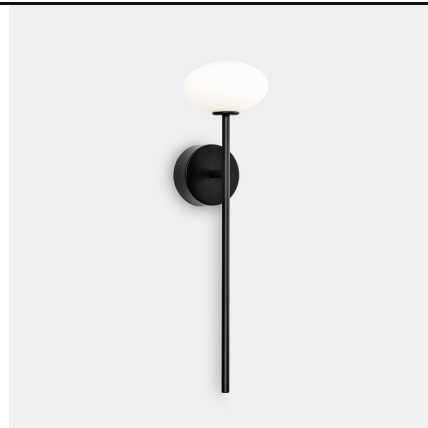


Image may not match reference. LedsC4 reserves the right to amend any of the product's components. The data related to flux, power and colour temperature may be subject to changes made by the manufacturer.



## Bloom

Nahtrang Design

Bath IP44 Bloom LED 7.5 LED warm-white 2700K ON-OFF Black 262lm

### Logistics



x 8

Net weight (kg): 0.49

Packaged weight (kg): 1.24

Packaging: 415mm x 155mm x 140mm

### Light application



Image may not match reference. LedsC4 reserves the right to amend any of the product's components. The data related to flux, power and colour temperature may be subject to changes made by the manufacturer.