



## Levels 1 Body Ø420mm

Nahtrang Design

Table lamp Levels 1 Body Ø420mm LED 14.7 SW 2700-3000-4000K 3 STEPS DIMMING Black 971lm

### Technical features

Luminaire total power: 14.7W  
 Real lumens: 971 (3000K)  
 Real lm/W: 66  
 Correlated Colour Temperature (CCT): SW 2700-3000-4000K  
 Lens / reflector angle: HORIZONTAL 102°  
 Structure material: Steel  
 Structure finish: Black  
 Diffuser material: Glass  
 Diffuser finish: Amber  
 Driver Brand: MEAN WELL  
 Voltage / frequency: 100-240V/50-60Hz  
 Dimming protocol: 3 STEPS DIMMING  
 Power Factor: NULL  
 Useful life: 50,000h L80B20  
 Warranty: 5 años  
 Easily recyclable luminaire



### Luminotechnic features

CRI: 90  
 MacAdam steps: 3  
 Photobiological risk: RG1

Lampholder	Quantity	Light source power (W)
LED	1	11.8W

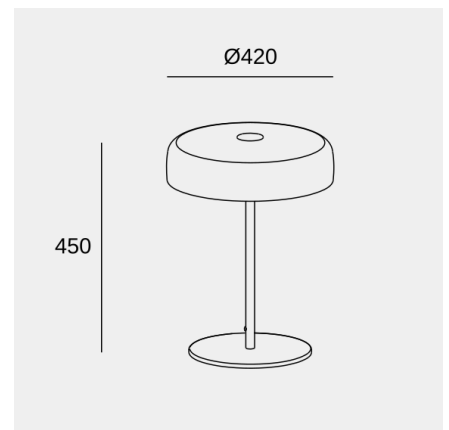


Image may not match reference. LedsC4 reserves the right to amend any of the product's components. The data related to flux, power and colour temperature may be subject to changes made by the manufacturer.



## Levels 1 Body Ø420mm

Nahtrang Design

Table lamp Levels 1 Body Ø420mm LED 14.7 SW 2700-3000-4000K 3 STEPS DIMMING Black 971lm

### Light application



Image may not match reference. LedsC4 reserves the right to amend any of the product's components. The data related to flux, power and colour temperature may be subject to changes made by the manufacturer.