

BOW SERIES DINING TABLES



The BOW table is an exquisite and elegant oval dining table. It is characterized by a number of beautiful design details such as herring bone pattern when unfolding, and the high quality butterfly extensions makes it easy to expand the table from 10 to 14 persons.

www.pbjdesignhouse.com

*Designed by
Michael H Nielsen*





BOW dining table

No 723212 maintable

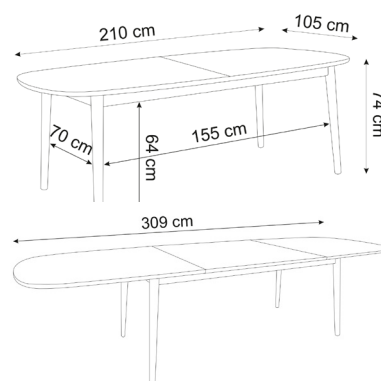
No 723211 butterfly extension.

Extending oval dining table with wooden edge and solid wood legs. It features a synchronous extension system and hidden butterfly leaves with herringbone, to unfold easily in the center of the table.

Number of seats: 8-10 persons

Extended: 12-14 persons

L:210/ 309 W: 105 H: 74 cm.



BOW dining table

No 723162 maintable

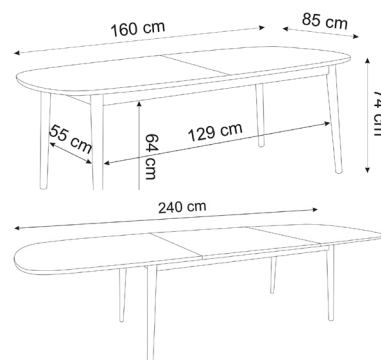
No 723161 butterfly extension.

Extending oval dining table with wooden edge and solid wood legs. It features a synchronous extension system and hidden butterfly leaves with herringbone, to unfold easily in the center of the table.

Number of seats: 4-6 persons

Extended: 8-10 persons

L:160/ 240 W: 85 H: 74 cm.



BOW SERIES

The elegant Bow dining table features herring bone design in the extension leaves when choosing light oak or walnut for the surface. It is also possible to select a number of other types of surfaces for the table, for example the smooth high quality fenix laminate, that is easy to clean and maintain. The table has a synchronous extension system and hidden butterfly leaves that makes it easy for one person to extend the table.



COLOURS AND MATERIALS

BASE, FRAME AND CABINET

VENEER



43 Light oak
mat lac



87 Black oak
mat lac



75 Walnut oil

TABLETOP

VENEER



43 Light oak
mat lac



87 Black oak
mat lac



75 Walnut oil

Tabletop always straight veneer.
Butterfly extension always
herringbone veneer.

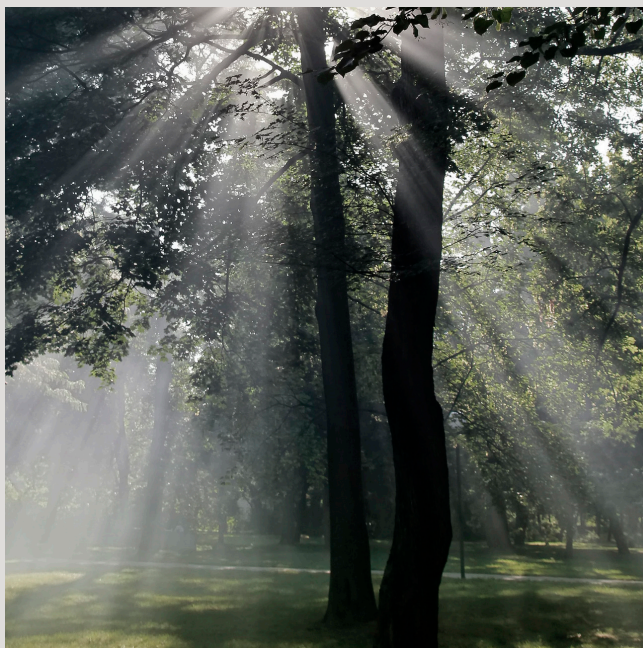
QUALITY FURNITURE SINCE 1968

PBJ Designhouse was founded in 1968 by Per Buhl Jørgensen. Since 1996 the proud design and craftsmanship tradition has been carried on by Morten Svendsen, and the company has invested in larger production facilities to follow the strong demand.

DANISH DESIGN

PBJ Designhouse has a tradition of bringing together furniture architects and certified cabinet makers since the start.

This has turned the company into an exponent of Denmark's proud traditions in furniture – when creativity and quality unite, the result reaches new heights.



FURNITURE WITH A CONSCIENCE

All wood used at PBJ Designhouse comes from state approved plantations, where the logs are individually selected and gently harvested.

We often produce furniture with veneer. The reason for this is twofold. It reduces the use of solid timber, thereby conserving natural resources. Secondly, the MDF that the veneer cover is made with recycled wood which is better for the environment whilst still producing a strong and high-quality surface.

All of our timber and veneer are carefully hand sorted so that the grain patterns and color variations are as natural as possible.



PBJ Designhouse
Skovvænget 2
DK-7860 Spøttrup
Denmark

pbj@pbjdesignhouse.com
pbjdesignhouse.com

Item: 0010-0001 - Version: 04012022

Your specialist dealer:

The brochure is subject to technical changes and possible printing errors.