

BRUNCH

Romano Marcato | 2012



BRUNCH

Romano Marcato | 2012

Two worlds, two “moments” come together for the traditional brunch. On the one hand, a wood top that descends in a curve to the floor and gently changes thickness, and on the other, a rigorous metal base. With its highly original asymmetrical effect, this table can be freely arranged, with heights intersecting and opening up in the directions of a star.





140



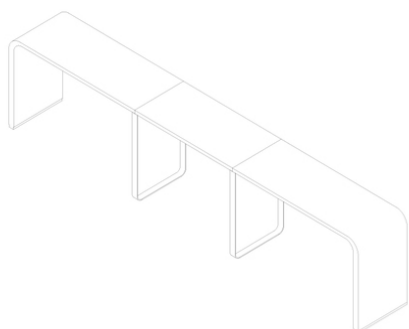
180



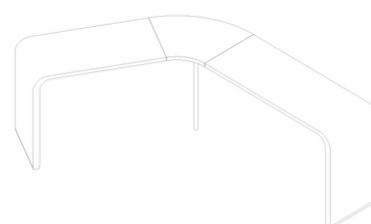
180 double



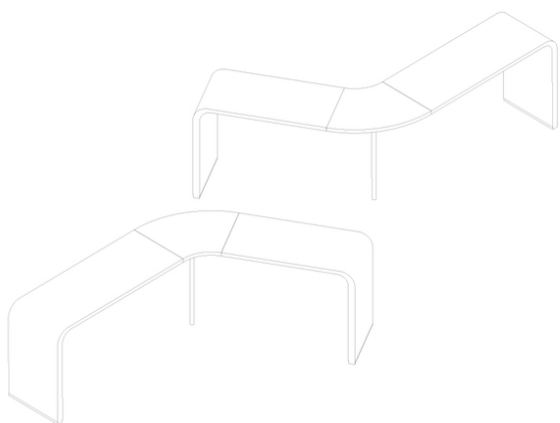
140 + 180



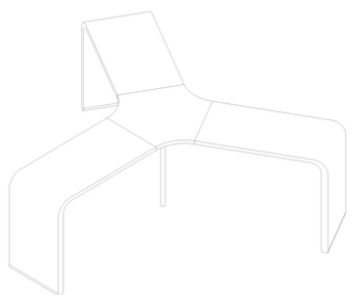
Double extended



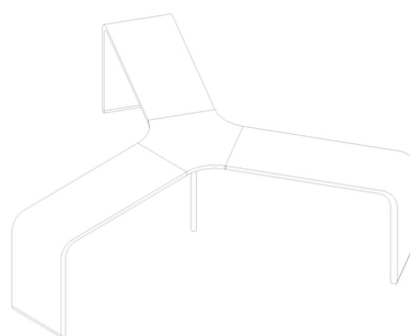
V_shape



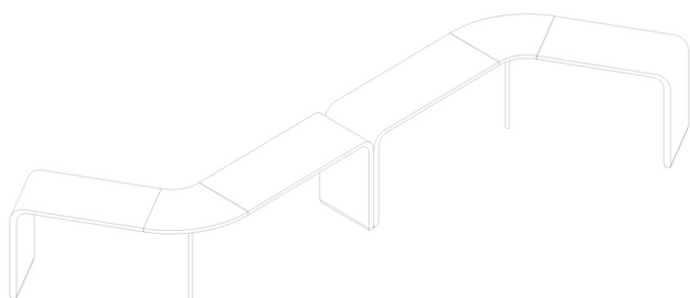
V_shape — mirror



Y_shape — small



Y_shape — big



V_shape — double

BRUNCH

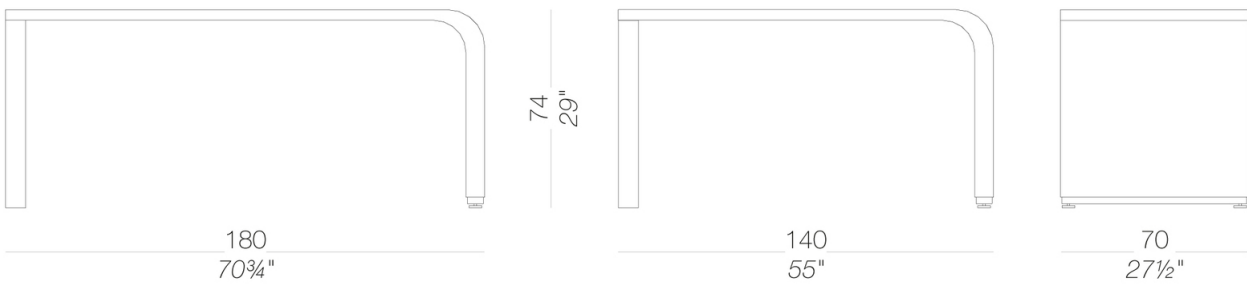
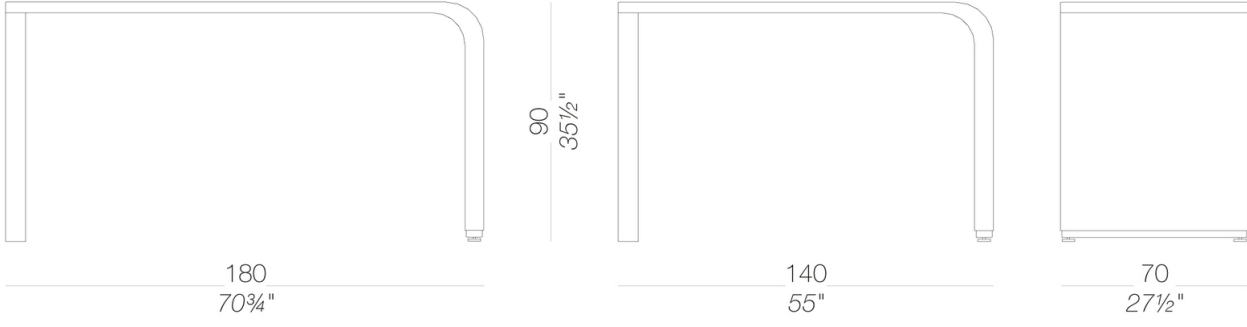
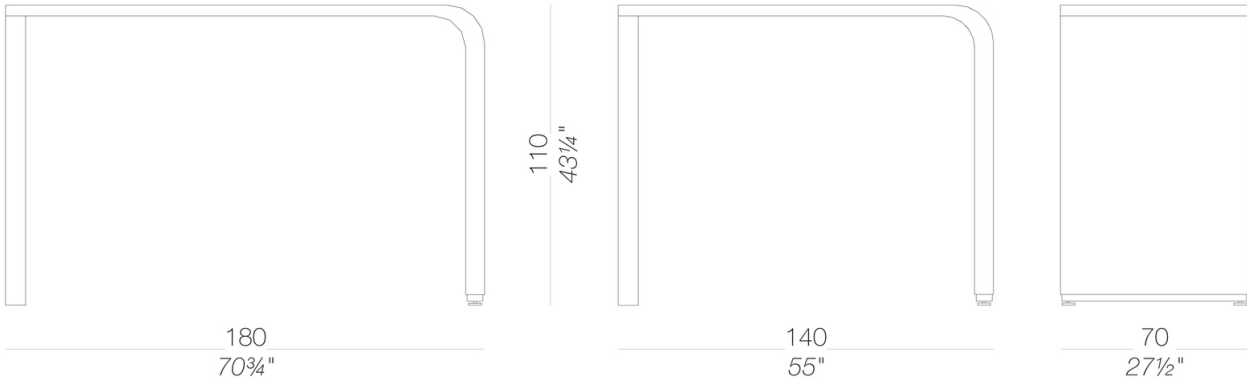
Romano Marcato | 2012

Modular system of tables composed of a curved honeycomb board with thickness variation and veneered in several finishes. Available in several dimensions with additional tops for larger configurations. Top in curved honeycomb board with variation in thickness, internal frame in plywood of poplar and beech, and veneered in several finishes, white laminate, white Fenix® or white lacquered. Base in mat chromed metal with adjustable feet for a better stability. Leg and base in metal mat chromed with adjustable feet for a better stability.

BRUNCH

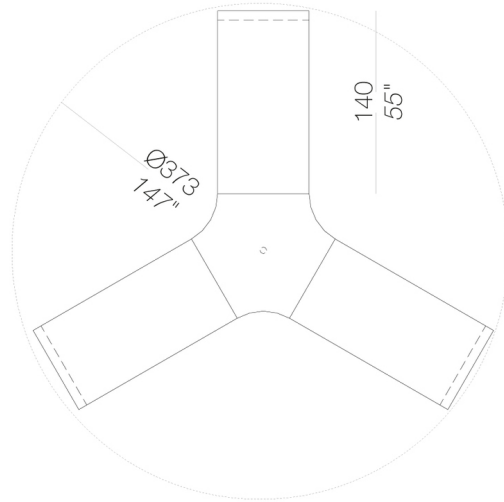
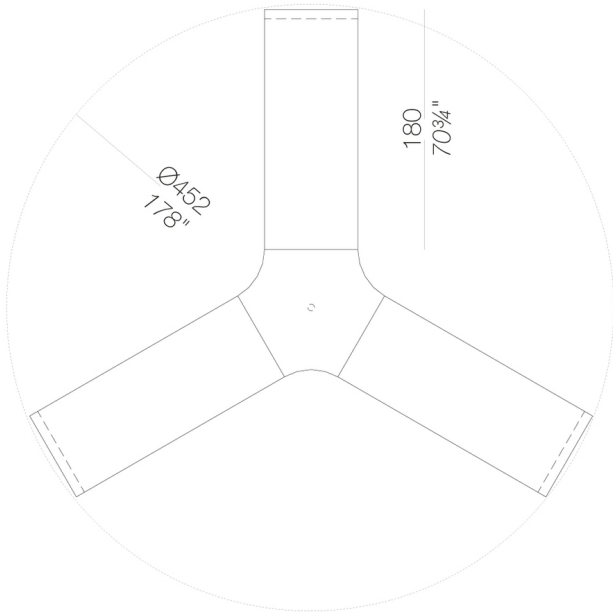
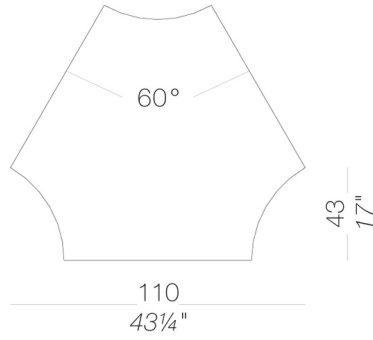
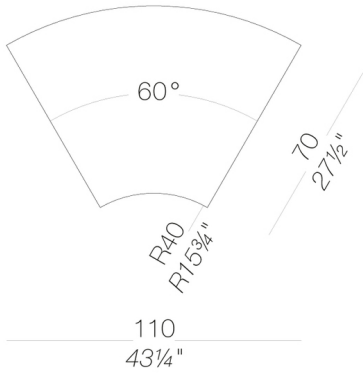
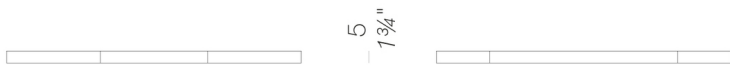
Romano Marcato | 2012

tops



BRUNCH

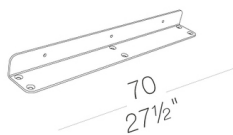
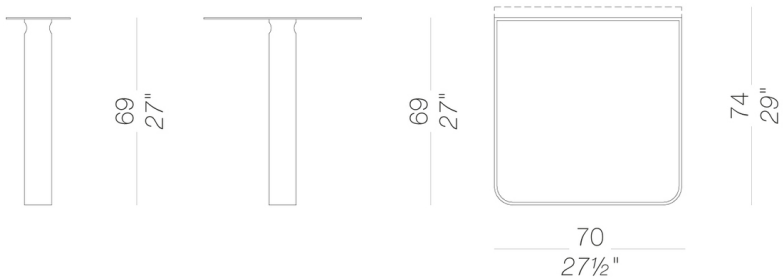
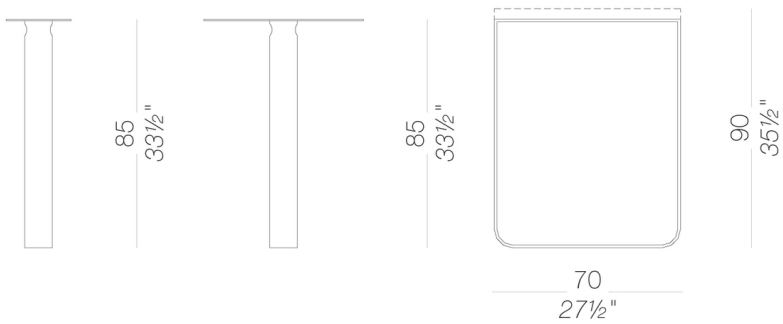
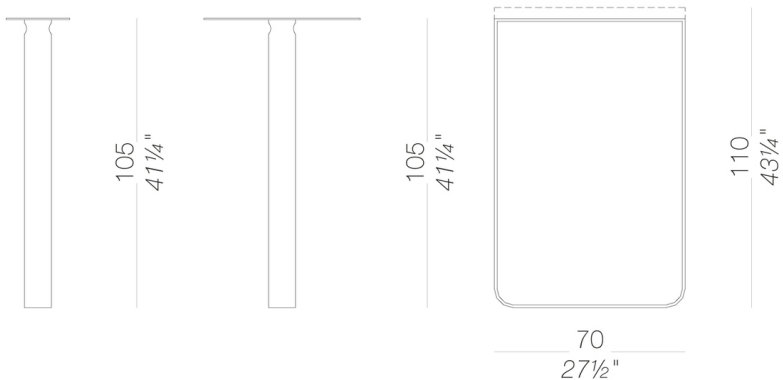
Romano Marcato | 2012



BRUNCH

Romano Marcato | 2012

frame



BRUNCH

Romano Marcato | 2012

frame

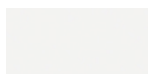


metal
mat chromed
1 Colors

leg



powder coating
black
1 Colors

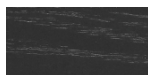


powder coating
white
1 Colors

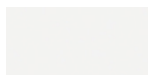
top



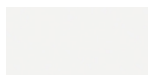
wood
blanched oak
1 Colors



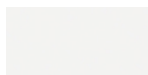
wood
black open pore
1 Colors



lacquered
white lacquered
1 Colors



laminated
406 abet 9/10
1 Colors



laminated
laminated Fenix 1,2
white
1 Colors

consult the portfolio for the range of colors, fabrics, eco-leather, soft-leather.

use and maintenance instructions

Clean all parts in wood, leather, fabric and metal with a damp cloth or a diluted neutral cleaner. Do not use cleaners with alcohol, bleach, solvent or abrasive products. Any liquid spilled on the product must be wiped up immediately. When lifting or moving the product, hold it on the structure and not under the seat. The product should not be subjected to unbalanced weights, as it is designed for a proper rest on the foothold (on four legs or on the base). Our company relieves from any responsibility in case of damage caused to fragile floors. Avoid any improper use of the product: do not step on the product, on the footrest or on the armrests. Avoid any movements that could compromise the proper functionality of the product or the safety of the users. Wood and leather, being natural materials, could be easily damaged. Small impurities or imperfections are within quality standard range. Do not expose the product to weather conditions or atmospheric agents, nor to heat sources over 40°C. Also products for outdoor use could be afflicted by atmospheric agents. The product could undergo possible exterior changes due to particular exposure to heat, humidity and saltiness. An appropriate and frequent maintenance and cleaning of the product enhances its durability. The product could change colour and shade, if exposed to direct sunlight. Maintenance has to be carried out by experienced staff. Dispose of the package only after assembling the product, in order to avoid the loss of ironmongery and components. Once the product has been dismantled, the product itself or its components must be given to the public garbage disposal system, according to the legislation in force.